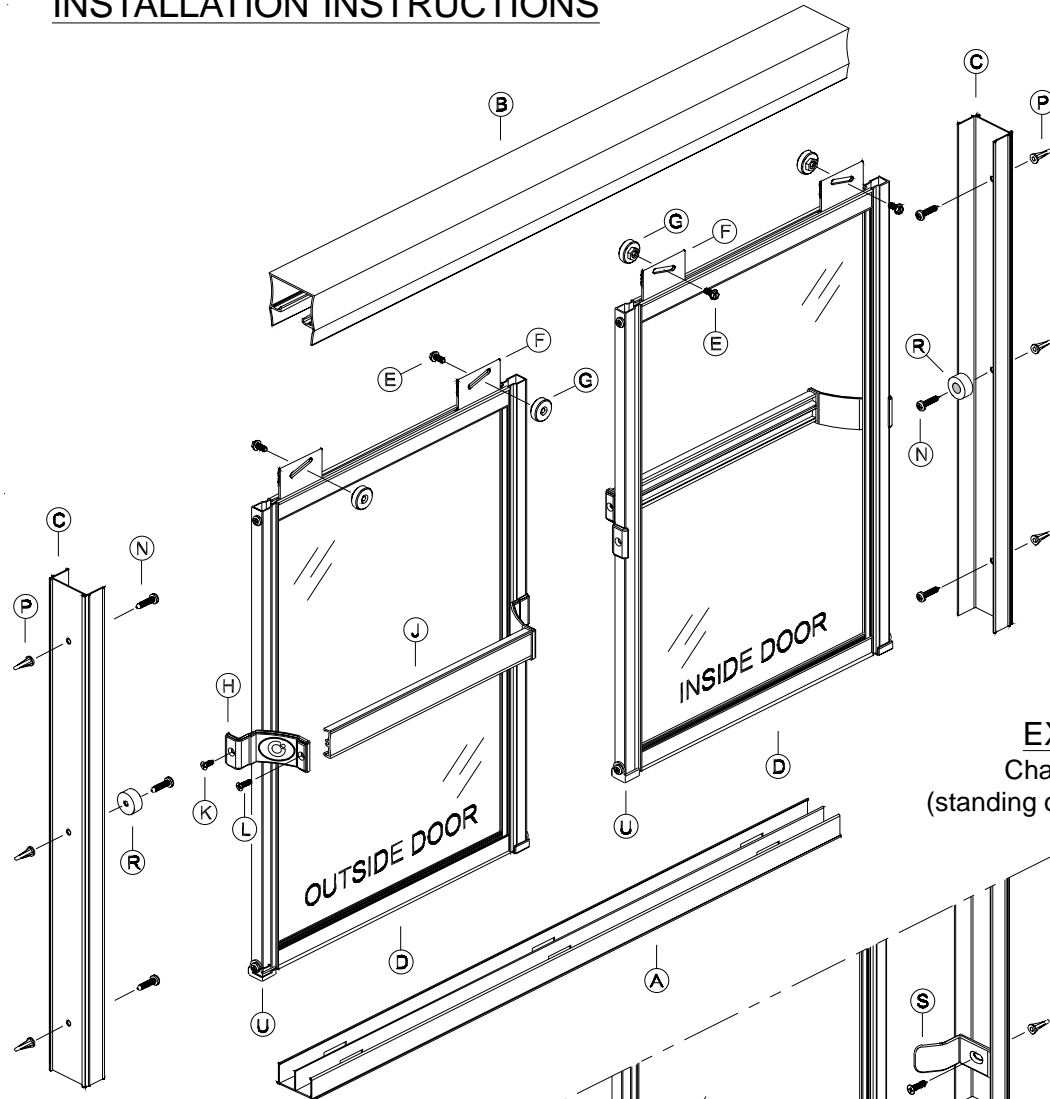
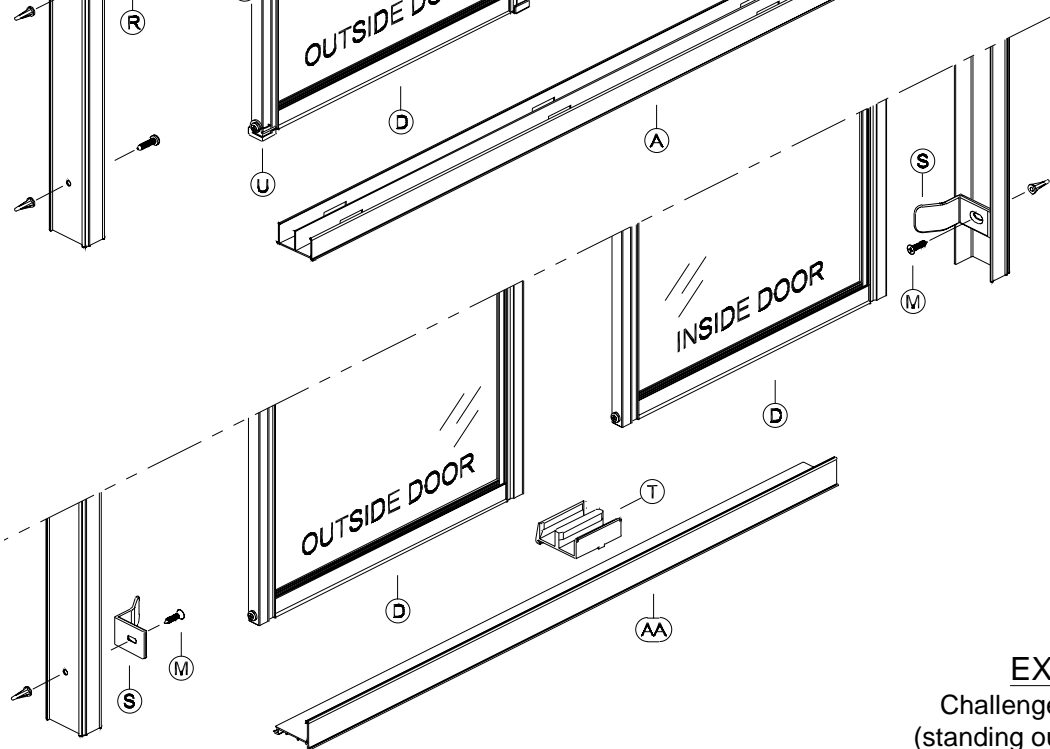


CHALLENGER

3000 AND 3100 SERIES INSTALLATION INSTRUCTIONS



EXPLODED VIEW 1
Challenger (with "W" Track)
(standing outside of enclosure looking in)



EXPLODED VIEW 2
Challenger (with "Stay Clean" Track)
(standing outside of enclosure looking in)

PARTS LIST

<u>KEY LETTER</u>	<u>PART NUMBER</u>	<u>DESCRIPTION</u>	<u>QUANTITY</u>
A	90	SILL ("W" TRACK UNIT ONLY).....	1
AA	490	SILL (STAY CLEAN UNIT ONLY).....	1
B	45	HEADER.....	1
C	126	WALL JAMB.....	2
D	----	DOOR PANEL ASSEMBLY.....	2
E	832HEX	ROLLER SCREWS.....	4
F	234	HANGER BRACKET (INSTALLED).....	4
G	PN193	ROLLER	4
H	CP545	TOWEL BAR BRACKETS (nylon)	4
J	136	SINGLE TOWEL BAR.....	2
K	638F	6-32 x 3/8" PHILLIPS FLATHEAD.....	4
L	612F	6-32 x 1/2" PHILLIPS FLATHEAD.....	4
M	81FHP	JAMB GUIDE SCREW (STAY CLEAN UNIT ONLY).....	2
N	834P	INSTALLATION SCREWS ("W" TRACK UNIT)..... (STAY CLEAN UNIT).....	6 4
P	1329	PLASTIC SCREW ANCHOR.....	6
R	5168S	BUMPER.....	2
S	CP110	JAMB GUIDE (STAY CLEAN UNIT ONLY).....	2
T	CP1102	TRACK GUIDE (STAY CLEAN UNIT ONLY).....	1
U	1105	NYLON GUIDE ("W" TRACK UNIT ONLY).....	4

TOOLS / MATERIALS

MASKING TAPE
MEASURING TAPE
SAFETY GLASSES
PENCIL / FELT TIP PEN

HAMMER
HACKSAW
LEVEL
ELECTRIC DRILL

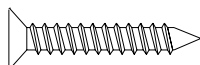
CENTER PUNCH
3/16" MASONRY DRILL BIT
PHILLIPS SCREW DRIVER
STANDARD SCREW DRIVER OR 1/4" WRENCH
CLEAR CAULKING OR SEALANT (MILDEW RESISTANT)

Unit Installation Screws

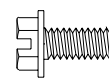
(shown full size as reference)



(K)_638 TOWEL BAR BRACKET SCREW



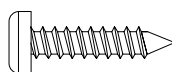
(M)_81FHP JAMB PANEL GUIDE SCREW



(E)_832HEX ROLLER SCREW

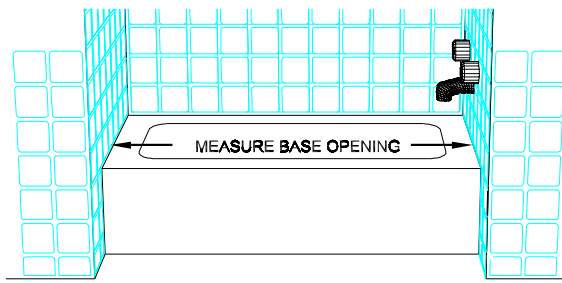


(L)_612 TOWEL BAR BRACKET SCREW



(N)_834P INSTALLATION SCREW

STEP 1 Measure base opening & cut Sill



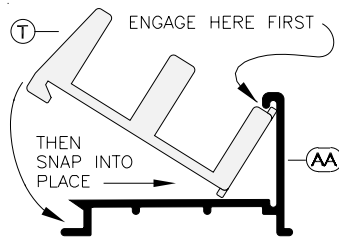
Measure the base opening along the center of the shower curb as shown in step 1. Using a hacksaw . . . cut the Sill (A) or (AA) to 5/16" less than the base opening.

("W" TRACK) _Position Sill (A) on the shower curb with drain holes to the interior, insuring that it is centered left to right and front to back.

(STAY CLEAN) _Position Sill (AA) on the shower curb with high lip to the exterior, insuring that it is centered left to right and front to back.

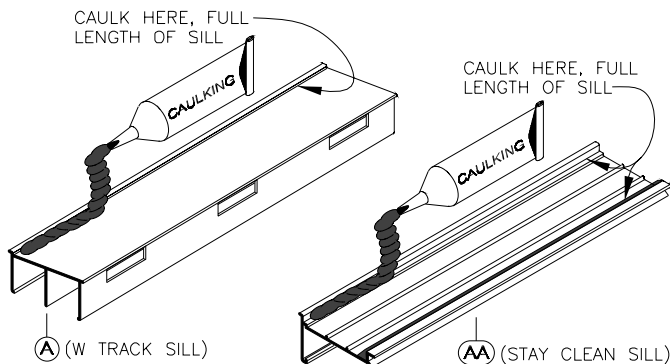
When satisfied that Sill is properly centered, tape Sill to curb and pencil mark it's position. Check to see that Sill has been cut to the proper length by temporarily placing Wall Jambes (C) at either end of Sill (as shown in step 4) and checking for proper fit. Remove Sill from curb.

STEP 2 Snap on Track Guide (Stay Clean units only)



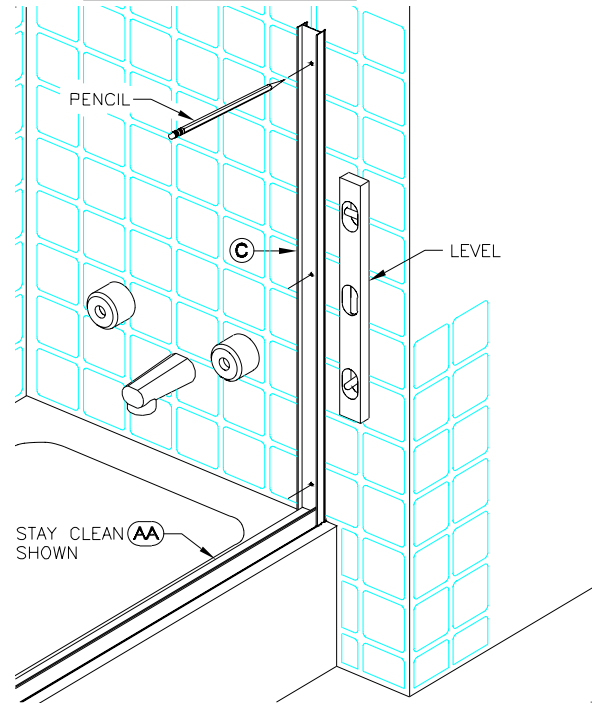
For proper operation, Track Guide (T) must be centered on Sill (AA). Measure the length of Sill (AA) and pencil mark the center. Now center the Track Guide (T) on the center mark and snap into place as shown in figure above.

STEP 3 Caulk Sill & reposition



Turn Sill over and apply a bead of caulking the full length of the Sill as shown in figure above. Apply enough to slightly overfill corners. Reposition Sill on shower curb in the exact location previously pencil marked in step 1. At this time the sill may be re-taped to the shower curb to prevent drastic movement while installing the wall jamba.

STEP 4 Installing Wall Jambes

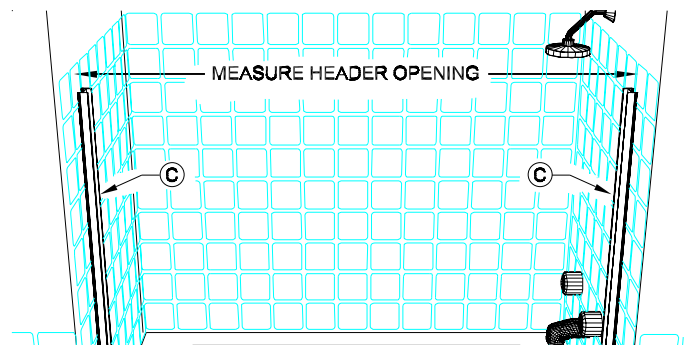


Position Wall Jambes (C) onto ends of Sill (A) or (AA) and up against shower walls. Use a level to plumb the Wall Jambes, then make a pencil mark on the shower walls thru each of the six (6) installation holes (*three per jamb*). Remove Wall Jambes and lightly center punch installation hole locations. Drill 1" deep installation holes using a 3/16" masonry bit and Insert Plastic Screw Anchors (P).

("W" TRACK) _Reposition Wall Jambes as before and secure to shower walls using six (6) #8 x 3/4" Installation Screws (N). Insure that both Jamb Bumpers (R) are secured to the Wall Jambes using the center installation screw (*see front sheet - exploded view 1*).

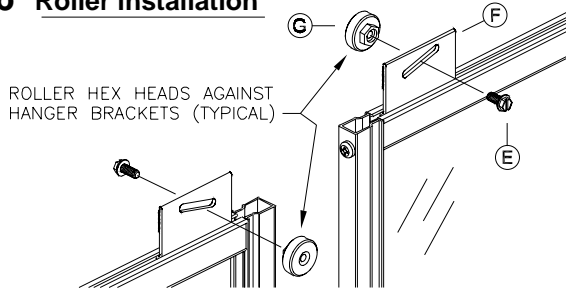
(STAY CLEAN) _Reposition Wall Jambes as before and secure to shower walls using four (4) #8 x 3/4" Installation Screws (N). Insure that both Jamb Bumpers (R) are secured to the Wall Jambes using the center installation screw (*see front sheet - exploded view 1*). Use the #8 x 3/4" Flat Head Screws (M) to secure Jamb Guides (S) to lower installation hole of Wall Jambes (see front sheet - exploded view 2).

STEP 5 Measure Header opening & cut Header



Measure the wall to wall opening at the top of the Wall Jambes (C) and cut the Header (B to 1/16" less than the measurement obtained. Position Header (B) on top of the Wall Jambes (C) and leave it there as we make preparations for panel installation.

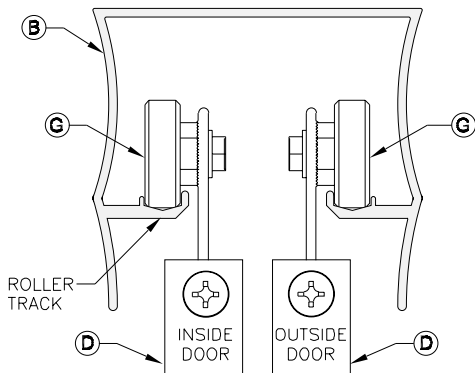
STEP 6 Roller installation



Before attaching Rollers (G) to Door Panels (D), insure that Door Panels are turned so that the rough side of Aquatex glass or the graphics side of etched glass (depending on model purchased), is facing toward outside of shower enclosure.

Using the exploded view above as a guide, attach Rollers (G) to Hanger Brackets (F) using an #832 Hex Head Screw (E). Note: protruding hex head on roller should always face hanger bracket.

STEP 7 Door Panel Installation



Install the outside Door Panel (D) by Lifting Panel up and into the Header (B).

(“W” TRACK) Lower Panel into the bottom track Sill (A) and engage the Rollers (G) with the roller track.

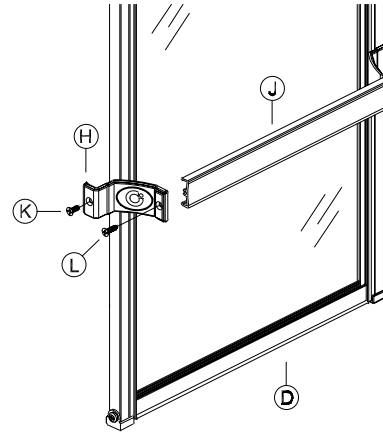
(STAY CLEAN) Lower Panel into the Track Guide (T) and engage the Rollers (G) with the roller track.

Slide outside Door Panel into Wall Jamb located on wall opposite of shower head. Check Panel to make sure that it is parallel to the Wall Jamb. If it is not, remove the Door Panel and adjust the rollers either up or down by loosening the Roller Screws and sliding the Rollers. When satisfied with outside Door Panel alignment, proceed with inside Door Panel installation.

When installed, slide inside Door Panel into Wall Jamb located on **shower head wall** and check for alignment with Wall Jamb. Adjust Rollers as necessary.

STEP 8 Towel Bar Installation

Towel Bars shall be installed on same side as the Rollers, see exploded view 1 - front sheet.

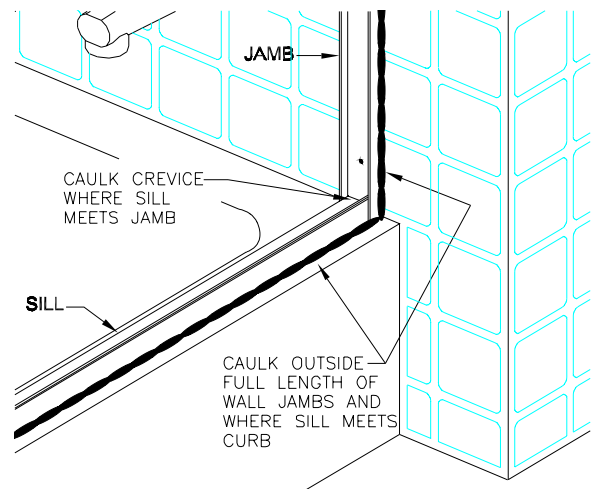


Loosely attach the Towel Bar Brackets (H) to the Door Panel Assemblies (D) with the #6 x 3/8" flat head Screw (K) provided. Do not tighten screws at this time.

Attach the Towel Bars (J) to the Brackets (H) with the #6 x 1/2" flat head Screws (L) provided. Tighten all towel bar screws at this time (do not . . . repeat . . . do not over tighten).

Remove backing from Coastal Stickers (V) and adhere to each of the four (4) Towel bar brackets.

STEP 9 Leak Proof Installation



To insure a leak proof installation . . . Run a bead of clear mildew resistant caulking down the full length of each Wall Jamb (**outside**) where the Wall Jambs meet the walls (see figure above). Now run a bead (**outside**) where the Sill meets the shower curb.

Finally, run a bead where the sill meets either Wall Jamb (see figure above). Follow caulking manufacturer's instructions before using shower. Installation is now complete.

Note:

Never caulk the inside of the shower unit as this will cause your unit to be susceptible to water leaks.

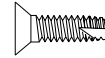
BAGGIE CODE NO. SS
Installation Hardware
Challenger Bypass ("W" Track)



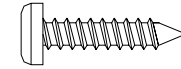
1329 (6 pcs)
Plastic Wall Anchors



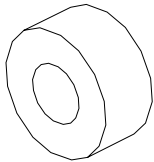
638F (4 pcs)
Towel Bar Bracket & Finger Pull Screw
#6x3/8" Flat Head Screw



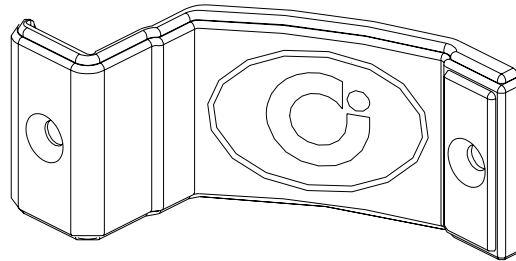
612F (4 pcs)
Towel Bar Screw
#6x1/2" Flat Head Screw



834P (6 pcs)
Wall Jamb Installation Screw
#8x3/4" Pan Head Screw



5168S (2 pcs)
Bumper



CP545B (4 pcs)
Nylon Towel Bar Brackets

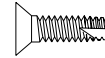
BAGGIE CODE NO. SS2
Installation Hardware
Challenger Bypass (Stay Clean)



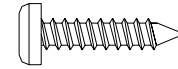
1329 (6 pcs)
Plastic Wall Anchors



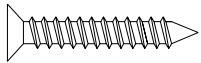
638F (4 pcs)
Towel Bar Bracket & Finger Pull Screw
#6x3/8" Flat Head Screw



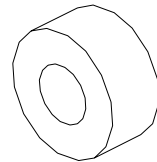
612F (4 pcs)
Towel Bar Screw
#6x1/2" Flat Head Screw



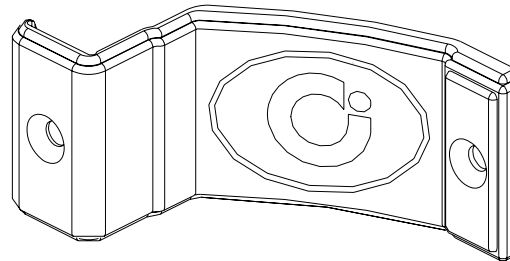
834P (4 pcs)
Wall Jamb Installation Screw
#8x3/4" Pan Head Screw



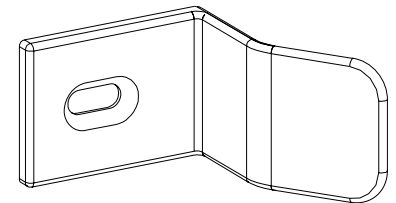
81FHP (2 pcs)
Panel Guide Screw
#8x1" Flat Head Screw



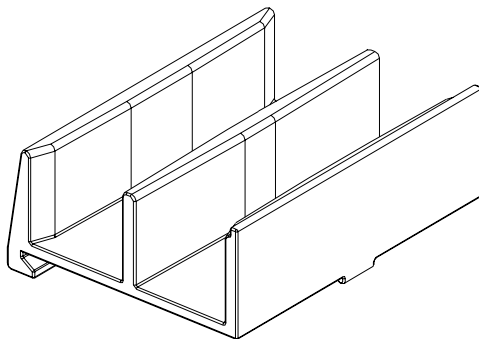
5168S (2 pcs)
Bumper



CP545B (4 pcs)
Nylon Towel Bar Brackets



CP110A (2 pcs)
Jamb Panel Guide



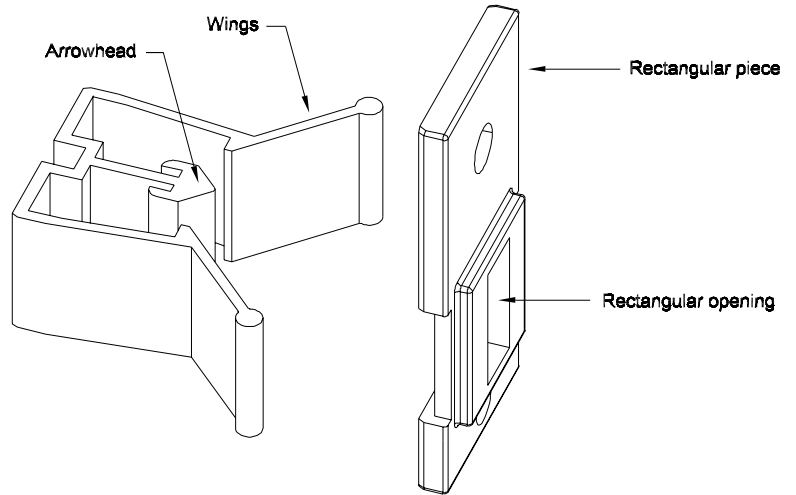
CP1102 (1 pc)
Stay Clean Door Guide

9733B Travel Latch

Installation Instructions (supplemental)

①

Snap Travel latch pieces together by feeding arrowhead through the rectangular opening. Wings will expand to accommodate rectangular piece. Make sure that both pieces are seated properly onto each other.



Wall Jamb

②

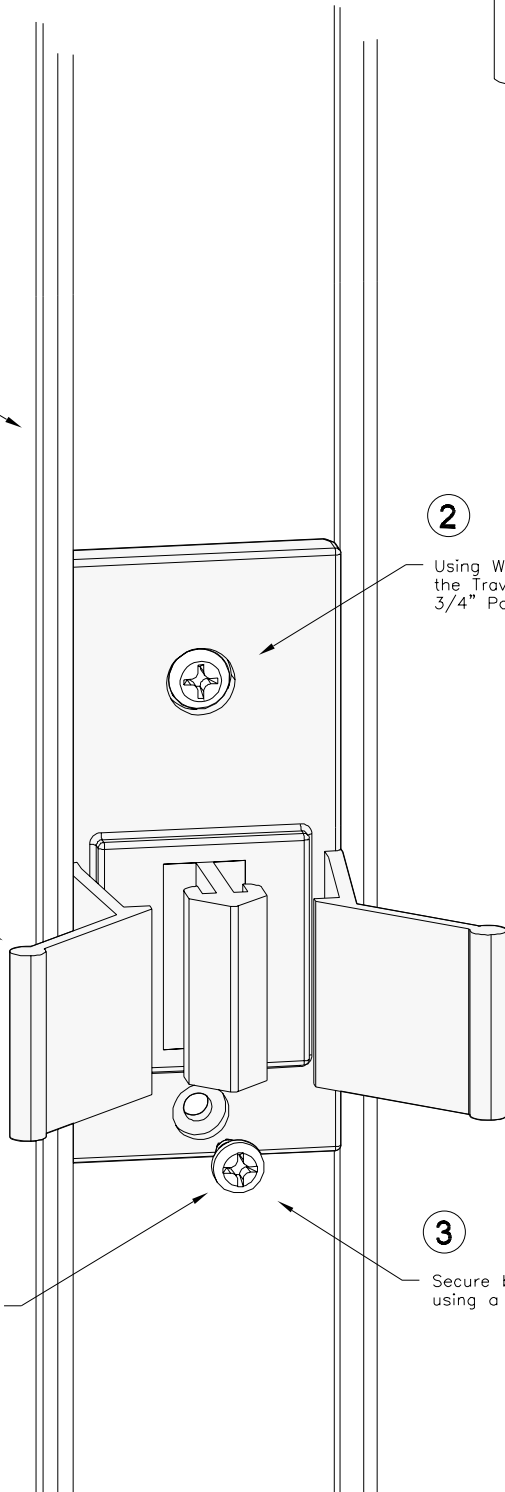
Using Wall Jamb's center hole, attach the Travel Latch to the Jamb using a 3/4" Pan Head Screw as shown

Travel Latch

③

Secure bottom of Travel Latch to Wall Jamb using a 3/8" Pan Head Self Drilling Screw

3/8" Self Drill Screw



Coastal Industries Inc.

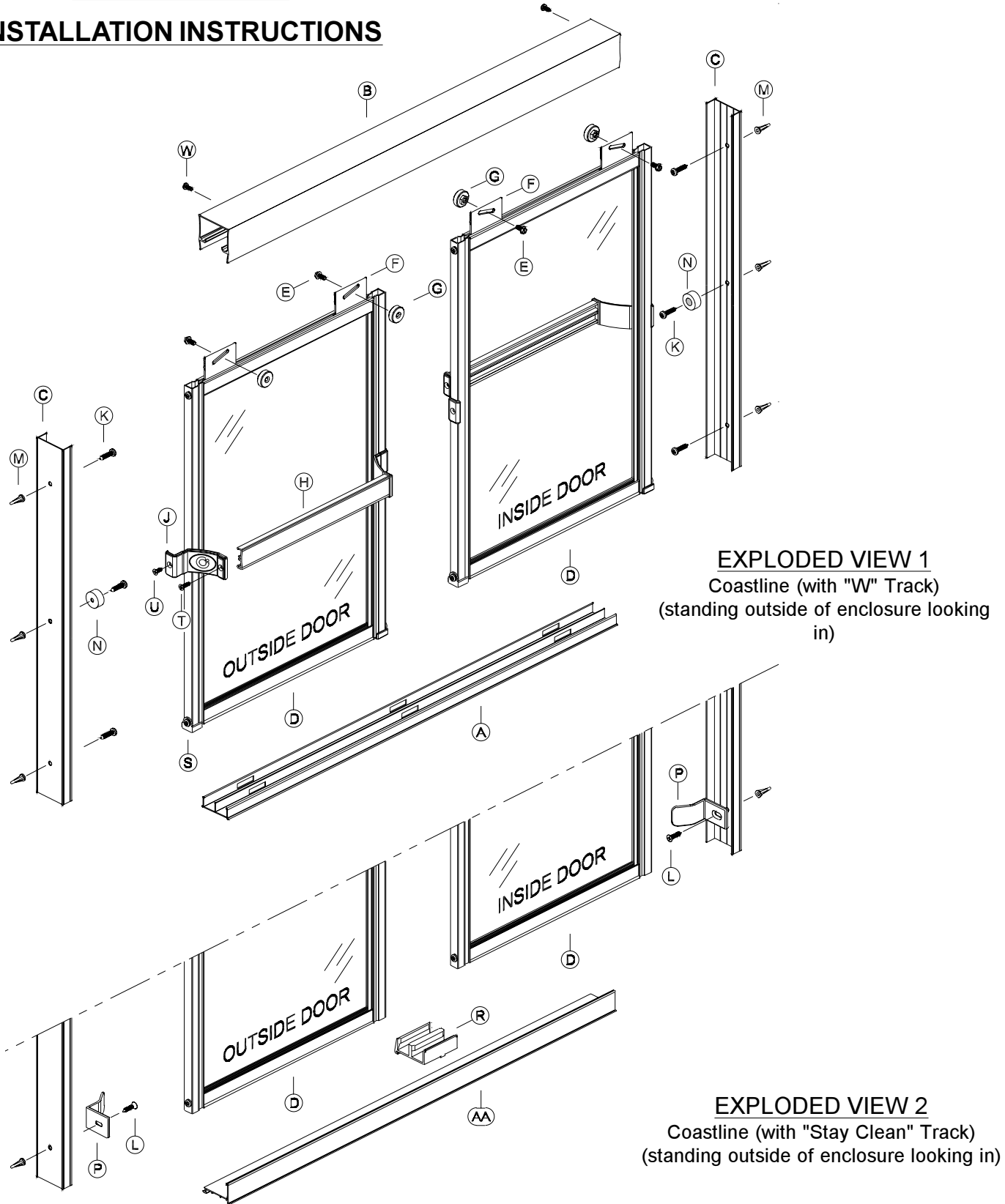
FAX NO.
(904) 641-1697

P.O BOX 16091
JACKSONVILLE FLORIDA 32245

TELEPHONE NO.
(904) 642-3970

Coastline

INSTALLATION INSTRUCTIONS



PARTS LIST

KEY LETTER	PART NUMBER	DESCRIPTION	QUANTITY
A	09	SILL ("W" TRACK UNIT ONLY).....	1
AA	490	SILL (STAY CLEAN UNIT ONLY).....	1
B	53	HEADER.....	4
C	01	WALL JAMB.....	2
D	---	DOOR PANEL ASSEMBLY.....	2
E	832HEX	ROLLER SCREWS.....	4
F	234	HANGER BRACKET (INSTALLED).....	4
G	PN193	ROLLER	4
H	136	TOWEL BAR	2
J	CP545B	TOWEL BAR BRACKETS (NYLON)	4
K	834P	INSTALLATION SCREWS ("W" TRACK UNIT).....	6
		(STAY CLEAN UNIT).....	4
L	81FHP	JAMB GUIDE SCREWS (STAY CLEAN UNIT ONLY)....	2
M	1329	PLASTIC SCREW ANCHOR.....	6
N	5168S	BUMPER.....	2
P	CP110A	JAMB GUIDE (STAY CLEAN UNIT ONLY).....	2
R	CP1102	TRACK GUIDE (STAY CLEAN UNIT ONLY).....	1
S	CP1105	NYLON GUIDE ("W" TRACK UNIT ONLY).....	4
T	612F	TOWEL BAR SCREWS	4
U	638F	TOWEL BAR BRACKET SCREWS	4
V	---	COASTAL STICKER	4
W	638PHPT	HEADER SCREW	2

TOOLS / MATERIALS NEEDED

HACKSAW	STANDARD SCREW DRIVER OR 1/4" WRENCH
ELECTRIC DRILL	LEVEL
* 1/8" STANDARD DRILL BIT	MEASURING TAPE
* 3/16" MASONRY DRILL BIT	HAMMER
PENCIL / FELT TIP PEN	CENTER PUNCH
SAFETY GLASSES	PHILLIPS SCREW DRIVER
MASKING TAPE	CLEAR CAULKING OR SEALANT (MILDEW RESISTANT)

* FOR CERAMIC TYPE WALL USE A 3/16" MASONRY BIT

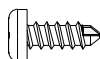
SCREW PROFILES (Shown full size for reference)



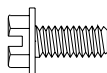
(T)_612F TOWEL BAR SCREW



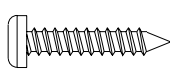
(U)_638F TOWEL BAR BRACKET
SCREW



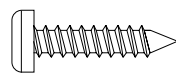
(W)_638PHPT HEADER SCREW



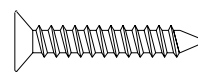
(E)_832HEX ROLLER SCREW



(J)_634P TOWEL BAR SCREW

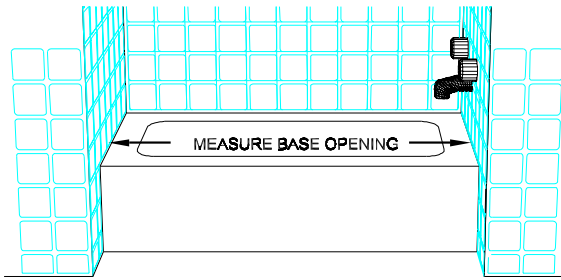


(K)_834P INSTALLATION SCREW



(L)_81FHP JAMB PANEL GUIDE SCREW

STEP 1 Measure base opening & cut Sill



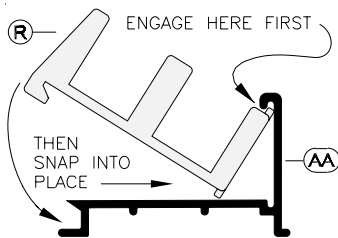
Measure the base opening along the center of the shower curb as shown in step 1. Using a hacksaw . . . cut the Sill (A) or (AA) to 1/4" less than the base opening.

("W" TRACK) _Position Sill (A) on the shower curb with drain holes to the interior, insuring that it is centered left to right and front to back.

(STAY CLEAN) _Position Sill (AA) on the shower curb with high lip to the exterior, insuring that it is centered left to right and front to back.

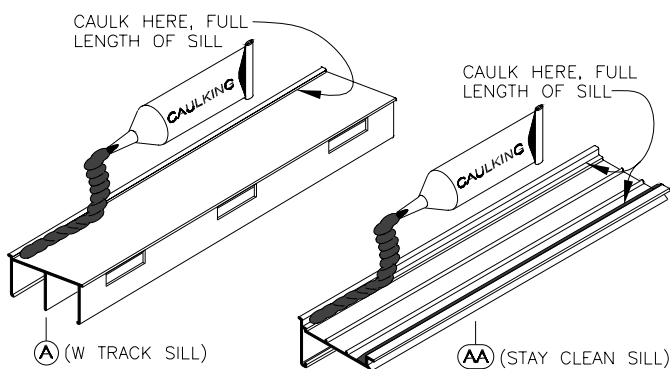
When satisfied that Sill is properly centered, tape Sill to curb and pencil mark it's position. Check to see that Sill has been cut to the proper length by temporarily placing Wall Jamb (C) at either end of Sill (as shown in step 4) and checking for proper fit. Remove Sill from curb.

STEP 2 Snap on Track Guide (Stay Clean units only)



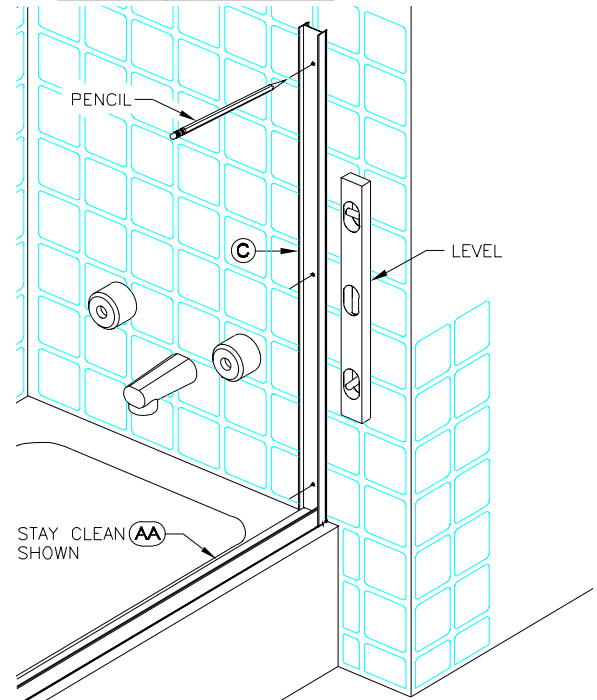
For proper operation, Track Guide (R) must be centered on Sill (AA). Measure the length of Sill (AA) and pencil mark the center. Now center the Track Guide (R) on the center mark and snap into place as shown in figure above.

STEP 3 Caulk Sill & reposition



Turn Sill over and apply a bead of caulking the full length of the Sill as shown in figure above. Apply enough to slightly overfill corners. Reposition Sill on shower curb in the exact location previously pencil marked in step 1. At this time the sill may be re-taped to the shower curb to help prevent movement while installing the wall jambs.

STEP 4 Installing Wall Jambs

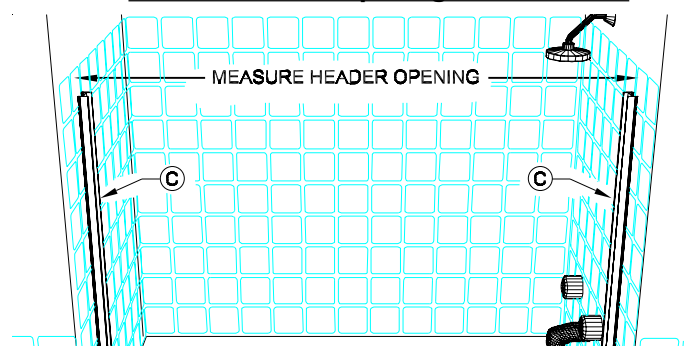


Position Wall Jamb (C) onto ends of Sill (A) or (AA) and up against shower walls. Use a level to plumb the Wall Jamb, then make a pencil mark on the shower walls thru each of the six(6) installation holes (*three per jamb*). Remove Wall Jamb and lightly center punch installation hole locations. Drill 1" deep installation holes. Use a 3/16" masonry bit (when drilling thru ceramic tile, marble or any masonry type surface) and insert Plastic Screw Anchors (M). Use a standard 1/8" drill bit for all other type surfaces (Plastic Screw Anchors are not required when standard 1/8" drill bit is used).

("W" TRACK) _Reposition Wall Jamb as before and secure to shower walls using six (6) #8 x 3/4" Installation Screws (K). Insure that both Jamb Bumpers (N) are secured to Wall Jamb using the center installation screw (*see front sheet - exploded view 1*).

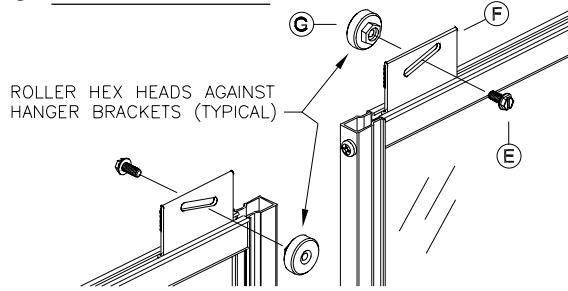
(STAY CLEAN) _Reposition Wall Jamb as before and secure to shower walls using four (4) #8 x 3/4" Installation Screws (K). Insure that both Jamb Bumpers (N) are secured to the Wall Jamb using the center installation screw (*see front sheet - exploded view 1*). Use the #8 x 3/4" Flat Head Screws (L) to secure Jamb Guides (P) to lower installation hole of Wall Jamb (see front sheet - exploded view 2).

STEP 5 Measure Header opening & cut Header



Measure the wall to wall opening at the top of the Wall Jamb (C) and cut Header (B) to 1/16" less than the measurement obtained. Position Header (B) on top of Wall Jamb (C) and leave it there as we make preparations for panel installation.

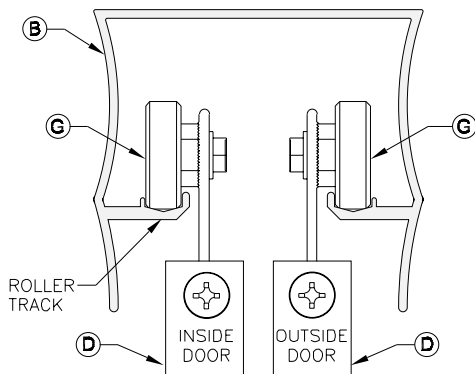
STEP 6 Roller installation



Before attaching Rollers (G) to Door Panels (D), insure that Door Panels are turned so that the rough side of Aquatex glass or the graphics side of etched glass (depending on model purchased), is facing toward outside of shower enclosure.

Using the exploded view above as a guide, attach Rollers (G) to Hanger Brackets (F) using an #832 Hex Head Screw (E). Note: protruding hex head on roller should always face hanger bracket (See detail above).

STEP 7 Door Panel Installation



Install the outside Door Panel (D) by Lifting Panel up and into the Header (B).

(“W” TRACK) Lower Panel into the bottom track Sill (A) and engage the Rollers (G) with the roller track.

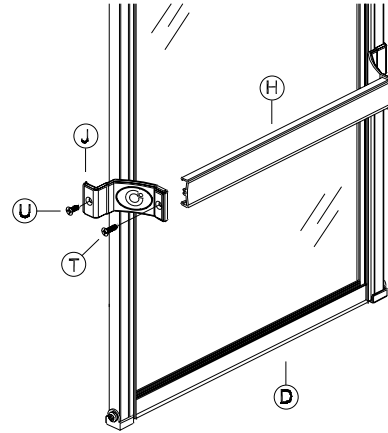
(STAY CLEAN) Lower Panel into the Track Guide (R) and engage the Rollers (G) with the roller track.

Slide outside Door Panel into Wall Jamb located on wall opposite of shower head. Check Panel to make sure that it is parallel to the Wall Jamb. If it is not, remove the Door Panel and adjust the rollers either up or down by loosening the Roller Screws and sliding the Rollers. When satisfied with outside Door Panel alignment, proceed with inside Door Panel installation.

When installed, slide inside Door Panel into Wall Jamb located on **shower head wall** and check for alignment with Wall Jamb. Adjust Rollers as necessary.

STEP 8 Towel Bar Installation

Towel Bars shall be installed on same side as the Rollers as shown in the exploded view 1 - front sheet.

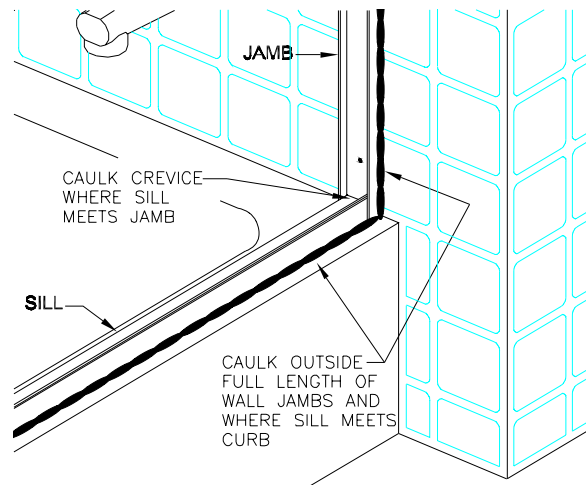


Loosely Attach the Towel Bar Brackets (J) to the Door Panel Assemblies (D) with the #6 x 3/8" Phillips Flat Head Screws (U) provided. Do not tighten screws at this time.

Attach the Towel Bars (H) to the Towel Bar Brackets (J) with the #6 x 1/2" Phillips Flat Head Screws (T) provided. Tighten all towel bar screws at this time. (do not . . . repeat . . . do not over tighten).

Remove backing from Coastal Stickers (V) and adhere to each of the four (4) Towel Bar Brackets.

STEP 9 Leak Proof Installation



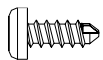
To insure a leak proof installation . . . run a bead of clear mildew resistant caulking down the full length of each Wall Jamb, **outside** where the Jambs meet the wall (see figure). Now caulk **outside** where the Sill meets the curb (see figure).

Finally, caulk the crevice(s) where the Sill meets the Wall Jambs (see figure). Follow caulking manufacturer's instructions before using shower. Installation is now complete.

Note:

Never caulk the inside of the shower unit as this will cause your unit to be susceptible to water leaks.

BAGGIE CODE NO. BB
Installation Hardware
Coastline Bypass ("W" Track)



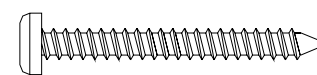
638PHPT (2 pcs)
Header Screw
#6x3/8" Pan Head Screws



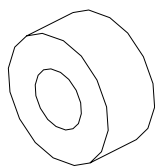
638F (4 pcs)
Towel Bar Bracket Screw
#6x3/8" Flat Head Screw



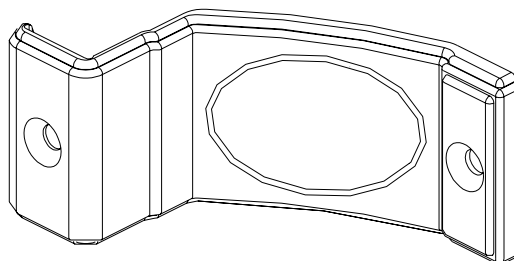
612F (2 pcs)
Towel Bar Screw
#6x1/2" Flat Head Screw



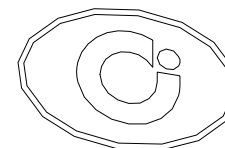
8112 (6 pcs)
Wall Jamb Installation Screw
#8x1-1/2" Pan Head Screw



5168S (2 pcs)
Bumper

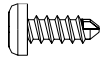


CP545B (4 pcs)
Nylon Towel Bar Brackets



CI Sticker (4)
Towel Bar Bracket Sticker

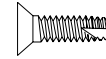
BAGGIE CODE NO. BB2
Installation Hardware
Coastline Bypass (Stay Clean)



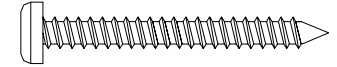
638PHPT (2 pcs)
Header Screw
#6x3/8" Pan Head Screws



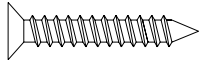
638F (4 pcs)
Towel Bar Bracket & Finger Pull Screw
#6x3/8" Flat Head Screw



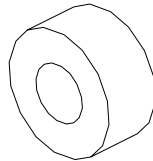
612F (2 pcs)
Towel Bar Screw
#6x1/2" Flat Head Screw



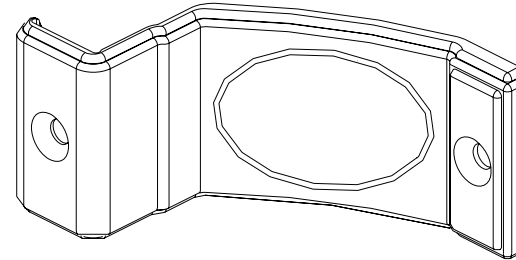
8112 (4 pcs)
Wall Jamb Installation Screw
#8x1-1/2" Pan Head Screw



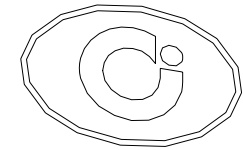
81FHP (2 pcs)
Panel Guide Screw
#8x1" Flat Head Screw



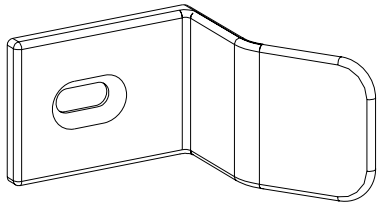
5168S (2 pcs)
Bumper



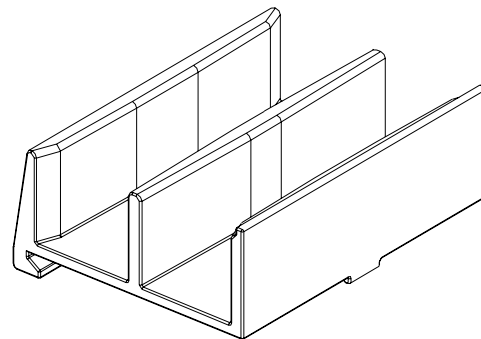
CP545B (4 pcs)
Nylon Towel Bar Brackets



CI Sticker (4 pcs)
Towel Bar Bracket Sticker



CP110A (2 pcs)
Jamb Panel Guide



CP1102 (1 pc)
Stay Clean Door Guide

Coastal Industries Inc.

FAX NO.
(904) 641-1697

P.O BOX 16091
JACKSONVILLE FLORIDA 32245

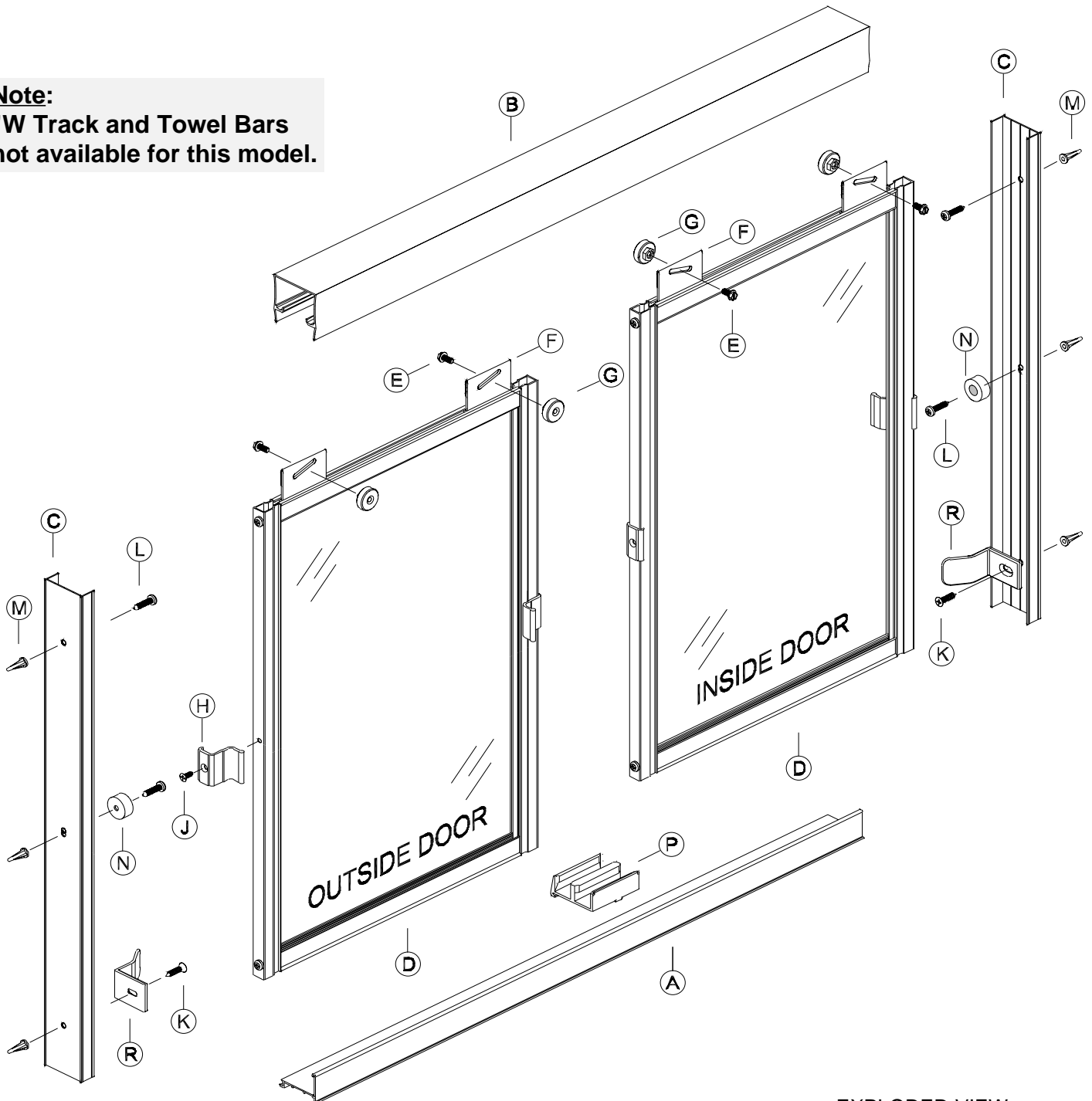
TELEPHONE NO.
(904) 642-3970

Omega (satin)

Installation instructions

Note:

"W Track and Towel Bars
not available for this model.



EXPLODED VIEW

Omega (With "Stay Clean" Track)
(standing outside of enclosure looking in)

PARTS LIST

<u>KEY</u> <u>LETTER</u>	<u>PART</u> <u>NUMBER</u>	<u>DESCRIPTION</u>	<u>QUANTITY</u>
A	490	SILL1
B	53	HEADER.....1
C	01	WALL JAMB.....2
D	—	DOOR PANEL ASSEMBLY.....2
E	832HEX	ROLLER SCREWS.....4
F	234	HANGER BRACKET (installed)4
G	PN193	ROLLER.....4
H	CP546B	FINGER PULLS.....4
J	638F	6-32 x 3/8" PHILLIPS FLATHEAD (TYPE F)4
K	81FHP	JAMB GUIDE SCREWS2
L	834P	INSTALLATION SCREWS4
M	1329	PLASTIC SCREW ANCHORS.....6
N	5168S	BUMPERS.....2
P	CP1102	TRACK GUIDE1
R	CP110A	JAMB GUIDE2

TOOLS NEEDED

- | | | |
|-------------------------|-----------------------|--|
| HACKSAW | MASKING TAPE | MEASURING TAPE |
| ELECTRIC DRILL | LEVEL | STANDARD SCREW DRIVER OR 1/4" WRENCH |
| 3/16" MASONRY DRILL BIT | HAMMER | CLEAR CAULKING OR SEALANT (MILDEW RESISTANT) |
| PENCIL / FELT TIP PEN | CENTER PUNCH | |
| SAFETY GLASSES | PHILLIPS SCREW DRIVER | |

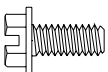
Screws shown full scale for reference



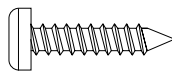
(J)_638F FINGER PULL SCREW



(K)_81FHP JAMB GUIDE SCREW



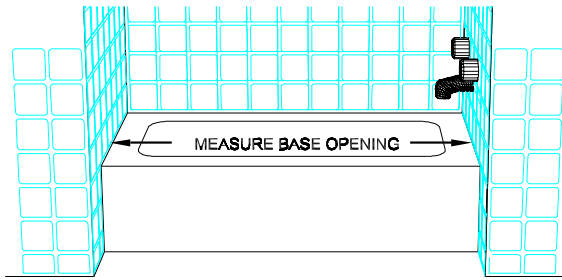
(E)_832HEX ROLLER SCREW



(L)_834P UNIT INSTALLATION SCREW

STEP 1

Measure base opening & cut Sill



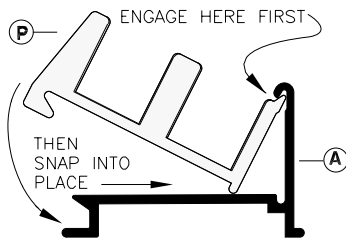
Measure the base opening along the center of the shower curb as shown in step 1. Using a hacksaw . . . cut Sill (A) to 1/4" less than the base opening.

Position Sill (A) on the shower curb with high lip to the exterior.

Insure that Sill is centered left to right and front to back. When satisfied that Sill is properly centered, tape Sill to curb and pencil mark it's position. Check to see that Sill has been cut to the proper length by temporarily placing Wall Jambs (C) at either end of Sill (as shown in step 4) and checking for proper fit. Remove Sill from curb.

STEP 2

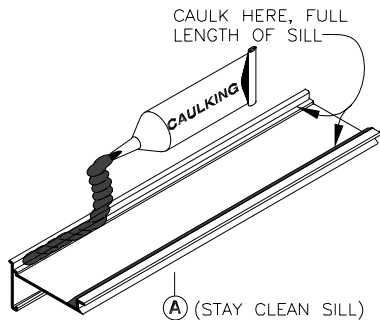
Snap on Track Guide



For proper operation, Track Guide (P) must be centered on Sill (A). Measure the length of Sill (A) and pencil mark the center. Now center the Track Guide (P) on the center mark and snap into place as shown in figure above.

STEP 3

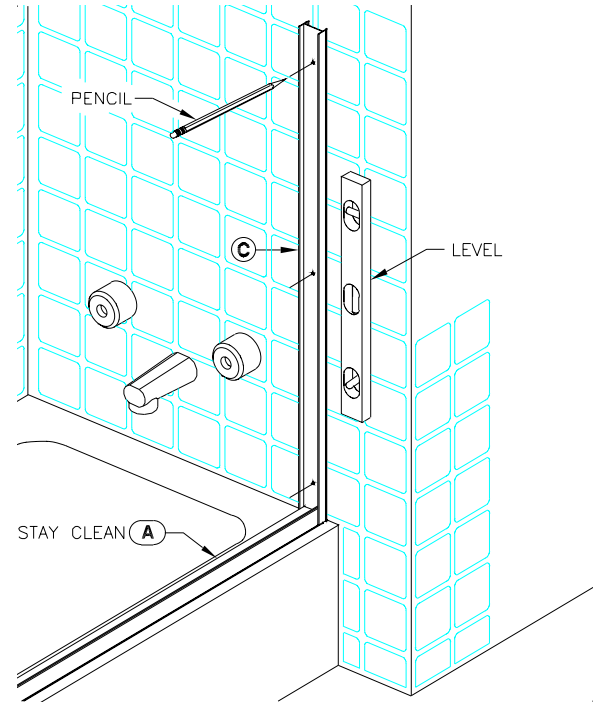
Caulk Sill & reposition



Turn Sill over and apply a bead of caulking the full length of the Sill as shown in figure above. Apply enough to slightly overfill corners. Reposition Sill on shower curb in the exact location previously pencil marked in step 1. At this time the sill may be re-taped to the shower curb to help prevent movement while installing the wall jambs.

STEP 4

Installing Wall Jambs

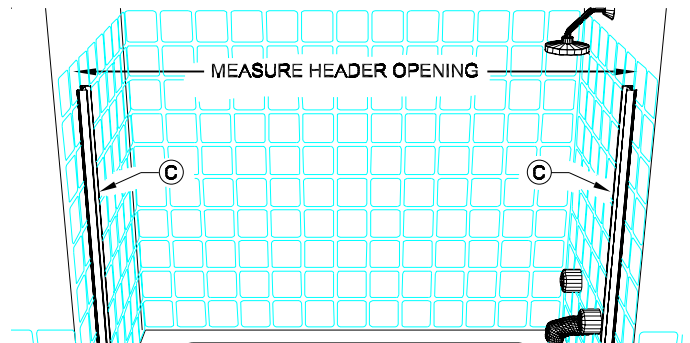


Position Wall Jambs (C) onto ends of Sill (A) and up against shower walls. Use a level to plumb the Wall Jambs, then make a pencil mark on the shower walls thru each of the installation holes (*three per jamb*). Remove Wall Jambs and lightly center punch installation hole locations. Drill 1" deep installation holes using a 3/16" masonry bit and insert Plastic Screw Anchors (M).

Reposition Wall Jambs as before and secure to shower walls using four (4) #8 x 3/4" Installation Screws (L). Insure that both Jamb Bumpers (N) are secured to the Wall Jambs using the center installation screw (see exploded view - sheet 1). Use the #8 x 1" Flat Head Screws (K) to secure Jamb Guides (R) to lower installation hole of Wall Jambs (see exploded view - sheet 1).

STEP 5

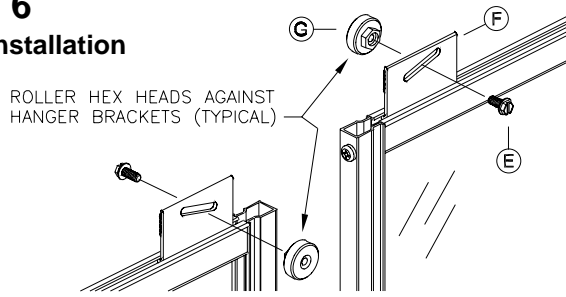
Measure Header opening & cut Header



Measure the wall to wall opening at the top of the Wall Jambs (C) and cut the Header (B) to 1/16" less than the measurement obtained. Position Header (B) on top of the Wall Jambs (C) and leave it there as we make preparations for panel installation.

STEP 6

Roller installation

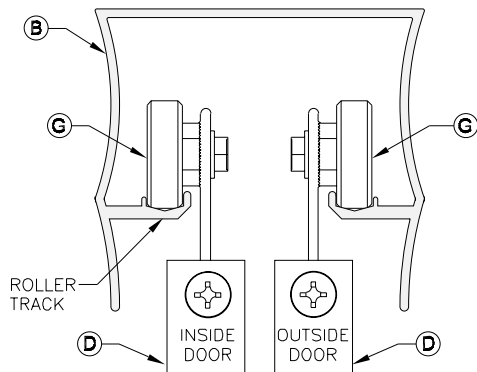


Before attaching Rollers (G) to Door Panels (D), insure that Door Panels are turned so that the rough side of Aquatex glass or the graphics side of etched glass (depending on model purchased), is facing toward outside of shower enclosure.

Using the exploded view on sheet 1 as a guide, attach Rollers (G) to Hanger Brackets (F) using an #832 Hex Head Screw (E). Note: protruding hex head on roller should always face hanger bracket.

STEP 7

Door Panel Installation



Install the outside Door Panel (D) by Lifting Panel up and into the Header (B).

Lower Panel into the Track Guide (P) and engage the Rollers (G) with the roller track.

Slide outside Door Panel into Wall Jamb located on wall opposite of shower head. Check Panel to make sure that it is parallel to the Wall Jamb. If it is not, remove the Door Panel and adjust the rollers either up or down by loosening the Roller Screws and sliding the Rollers. When satisfied with outside Door Panel alignment, proceed with inside Door Panel installation.

When installed, slide inside Door Panel into Wall Jamb located on **shower head wall** and check for alignment with Wall Jamb. Adjust Rollers as necessary.

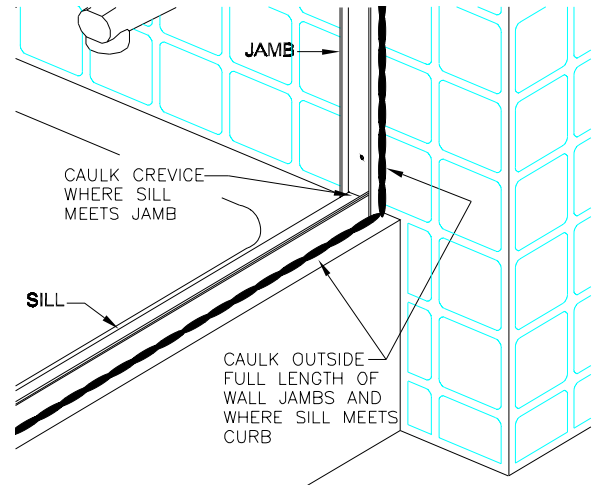
STEP 8

Attach Finger Pulls

Attach the Finger Pulls (H) to the inside and outside Door Panel Assemblies (D) with the #6 x 3/8" Phillips Flathead Screws (J) provided. (See front sheet - exploded view).

STEP 9

Leak Proof Installation



To insure a leak proof installation . . . run a bead of clear mildew resistant caulking down the full length of each Wall Jamb, **outside** where the Jambs meet the wall (see figure). Now caulk **outside** where the Sill meets the curb (see figure).

Finally, caulk the crevice(s) where the Sill meets the Wall Jambs (see figure). Follow caulking manufacturer's instructions before using shower. Installation is now complete.

Note:

Never caulk the inside of the shower unit as this will cause your unit to be susceptible to water leaks.

Coastal Industries Inc.

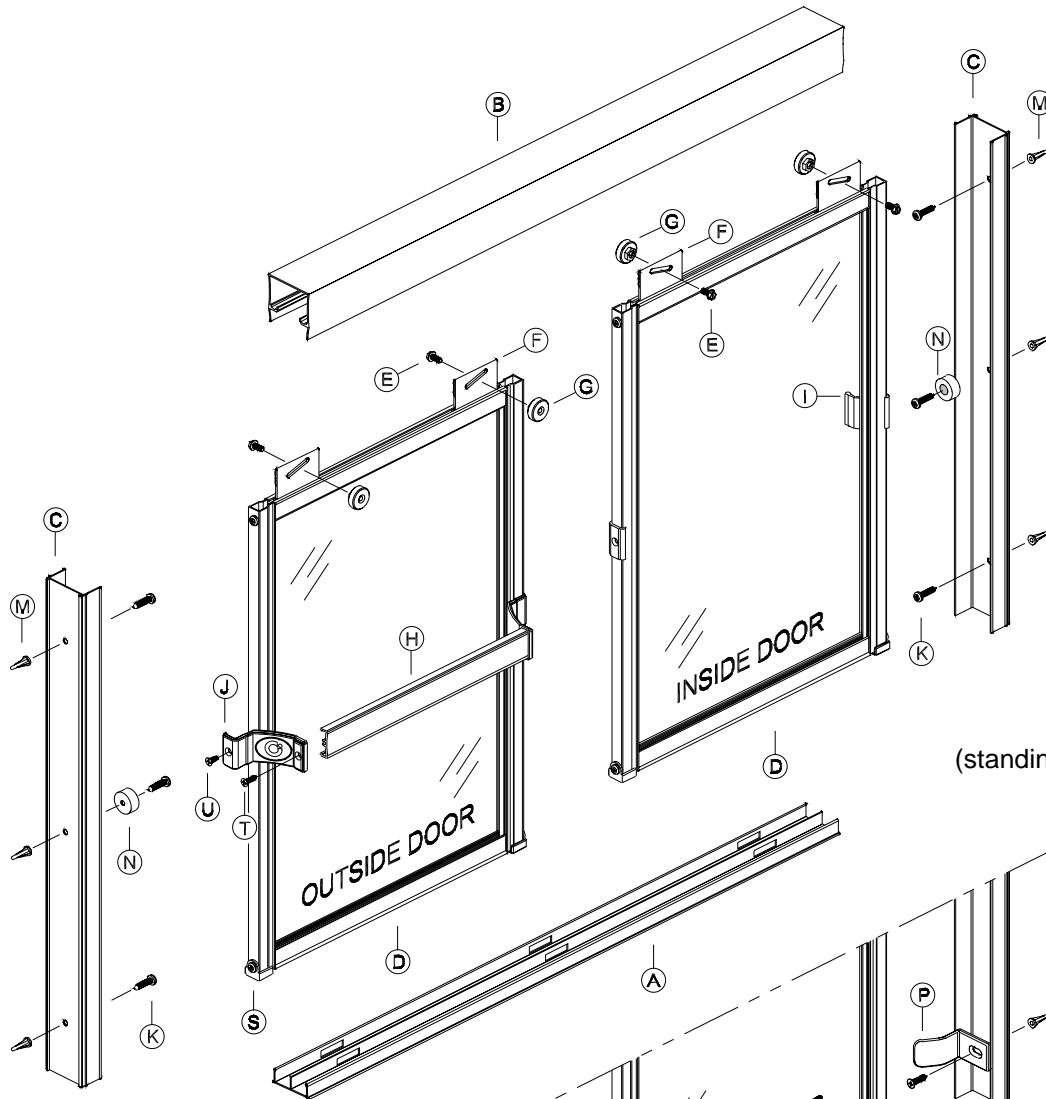
FAX NO.
(904) 641-1697

P.O BOX 16091
JACKSONVILLE FLORIDA 32245

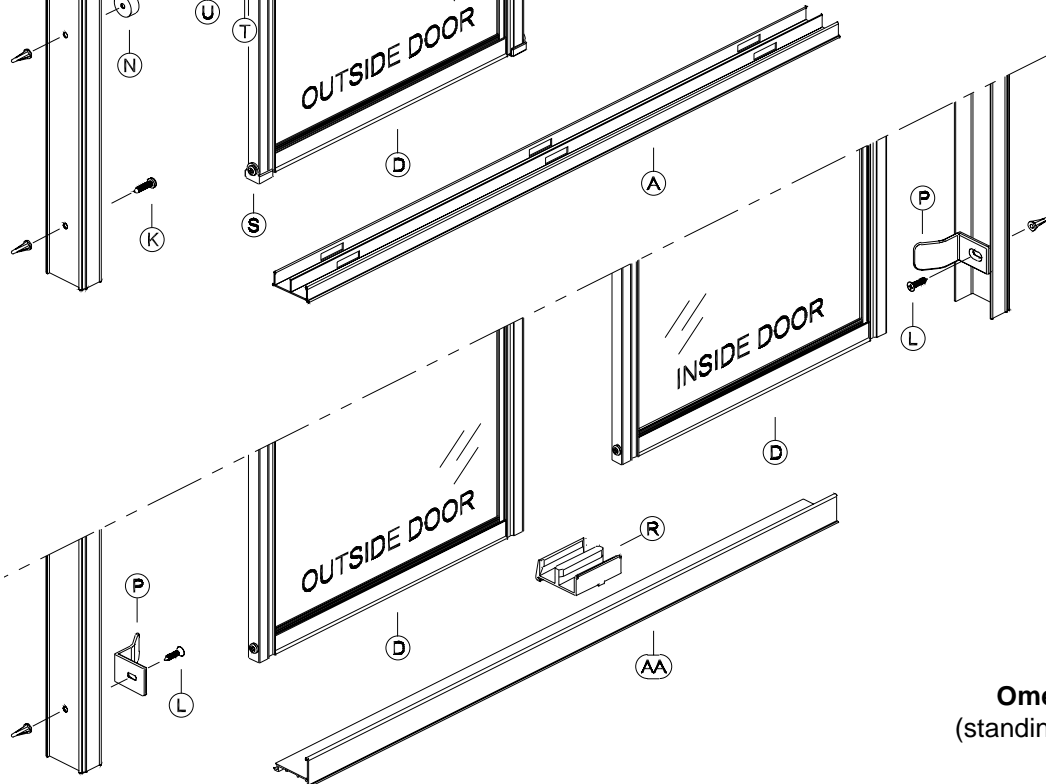
TELEPHONE NO.
(904) 642-3970

Omega

INSTALLATION INSTRUCTIONS (Brite and Gold Units)



EXPLODED VIEW -1
Omega (with "W" Track)
(standing outside of enclosure looking in)



EXPLODED VIEW -2
Omega (with "Stay Clean" Track)
(standing outside of enclosure looking in)

PARTS LIST

<u>PART LETTER</u>	<u>KEY NUMBER</u>	<u>DESCRIPTION</u>	<u>QUANTITY</u>
A	90	SILL ("W" Track unit only)	1
AA	490	SILL (Stay clean unit only)	1
B	53	HEADER	1
C	126	WALL JAMB	2
D	----	DOOR PANEL ASSEMBLY	2
E	832HEX	ROLLER SCREWS (installed)	4
F	234	HANGER BRACKET (installed)	4
G	PN193	ROLLER (installed)	4
H	136	TOWEL BAR	1
I	CP546B	FINGER PULLS (nylon)	2
J	CP545B	TOWEL BAR BRACKETS (nylon)	2
K	834P	INSTALLATION SCREWS ("W" Track unit)	6
		(Stay Clean unit)	4
L	81FHP	JAMB GIUDE SCREW (Stay Clean unit only)	2
M	1329	PLASTIC SCREW ANCHORS	6
N	5168S	BUMPER	2
P	CP110	JAMB PANEL GUIDE (Stay Clean unit only)	2
R	CP1102	TRACK GUIDE (Stay Clean unit only)	1
S	CP1105	NYLON GUIDE (installed) ("W" Track unity only)	4
T	612F	#6-32 x 1/2" TOWEL BAR SCREW	2
U	638F	#6-32 x 3/8" TOWEL BAR BRACKET SCREW	4
V	---	COASTAL INDUSTRIES LOGO STICKER	4

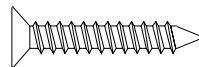
TOOLS NEEDED

HACKSAW	STANDARD SCREW DRIVER OR 1/4" WRENCH
ELECTRIC DRILL	LEVEL
3/16" MASONRY DRILL BIT	HAMMER
PENCIL / FELT TIP PEN	CENTER PUNCH
SAFETY GLASSES	PHILLIPS SCREW DRIVER
MEASURING TAPE	CLEAR CAULKING OR SEALANT (MILDEW RESISTANT)
MASKING TAPE	

Screws shown full scale for reference



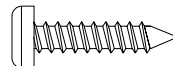
(U)_638F TOWEL BAR BRACKET AND FINGER PULL SCREW



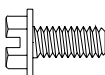
(L)_81FHP JAMB GUIDE SCREW



(T)_612F TOWEL BAR SCREW

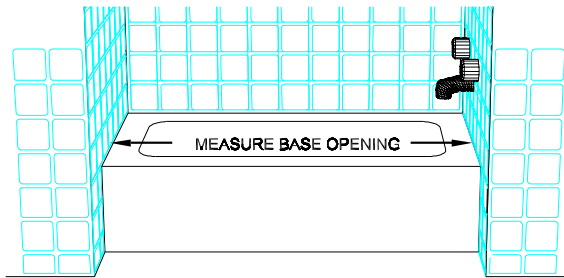


(K)_834P UNIT INSTALLATION SCREW



(E)_832HEX ROLLER SCREW

STEP 1 Measure base opening & cut Sill



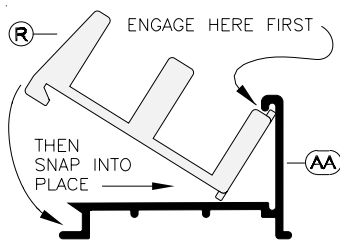
Measure the base opening along the center of the shower curb as shown in step 1. Using a hacksaw . . . cut the Sill (A) or (AA) to 5/16" less than the base opening.

(W TRACK) _Position Sill (A) on the shower curb with drain holes to the interior.

(STAY CLEAN) _Position Sill (AA) on the shower curb with high lip to the exterior.

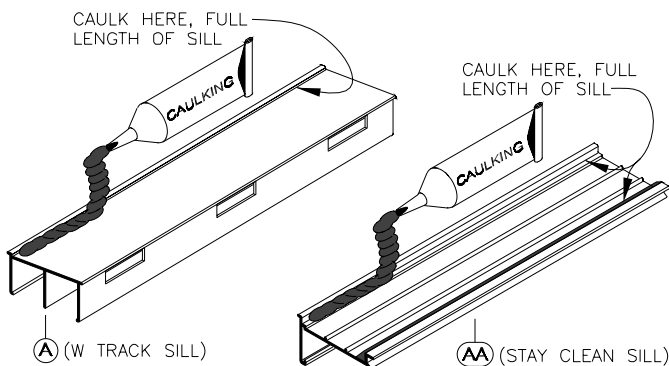
Insure that Sill is centered left to right and front to back. When satisfied that Sill is properly centered, tape Sill to curb and pencil mark it's position. Check to see that Sill has been cut to the proper length by temporarily placing Wall Jambs (C) at either end of Sill (as shown in step 4) and checking for proper fit. Remove Sill from curb.

STEP 2 Snap on Track Guide (Stay Clean units only)



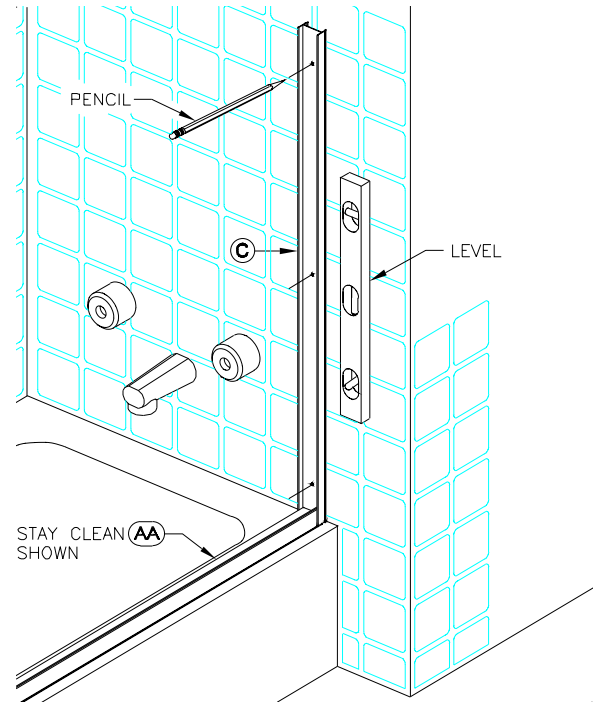
For proper operation, Track Guide (R) must be centered on Sill (AA). Measure the length of Sill (AA) and pencil mark the center. Now center the Track Guide (R) on the center mark and snap into place as shown in figure above.

STEP 3 Caulk Sill & reposition



Turn Sill over and apply a bead of caulking the full length of the Sill as shown in figure above. Apply enough to slightly overfill corners. Reposition Sill on shower curb in the exact location previously pencil marked in step 1. At this time the sill may be re-taped to the shower curb to help prevent movement while installing the wall jambs.

STEP 4 Installing Wall Jambs

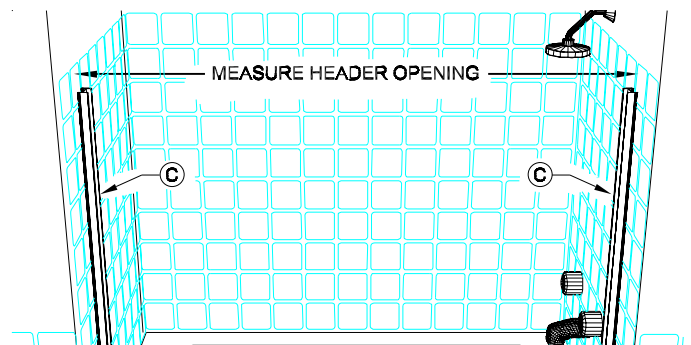


Position Wall Jambs (C) onto ends of Sill (A) or (AA) and up against shower walls. Use a level to plumb the Wall Jambs, then make a pencil mark on the shower walls thru each of the installation holes (*three per jamb*). Remove Wall Jambs and lightly center punch installation hole locations. Drill 1" deep installation holes using a 3/16" masonry bit and Insert Plastic Screw Anchors (M).

(W TRACK) _Reposition Wall Jambs as before and secure to shower walls using six (6) #8 x 3/4" Installation Screws (K). Insure that both Jamb Bumpers (N) are secured to the Wall Jambs using the center installation screw (see exploded view 1- on sheet 1).

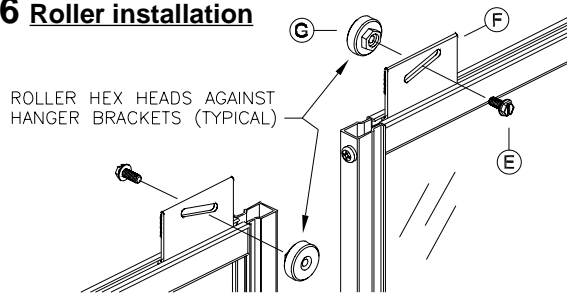
(STAY CLEAN) _Reposition Wall Jambs as before and secure to shower walls using four (4) #8 x 3/4" Installation Screws (K). Insure that both Jamb Bumpers (N) are secured to the Wall Jambs using the center installation screw (see exploded view 1 - on sheet 1). Use the #8 x 1" Flat Head Screws (L) to secure Jamb Panel Guides (P) to lower installation hole of Wall Jambs (see exploded view 2 - on sheet 1).

STEP 5 Measure Header opening & cut Header



Measure the wall to wall opening at the top of the Wall Jambs (C) and cut the Header (B) to 1/16" less than the measurement obtained. Position Header (B) on top of the Wall Jambs (C) and leave it there as we make preparations for panel installation.

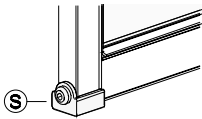
STEP 6 Roller installation



Before attaching Rollers (G) to Door Panels (D), insure that Door Panels are turned so that the rough side of Aquatex glass or the graphics side of etched glass (depending on model purchased), is facing toward outside of shower enclosure.

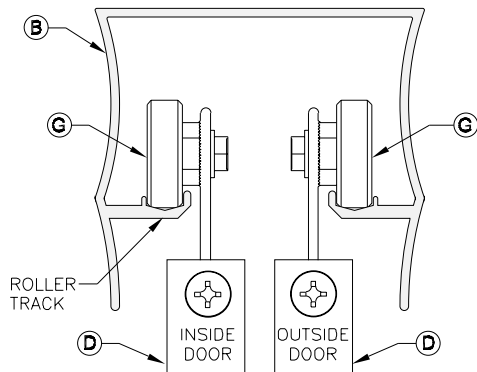
Using the exploded view as a guide, attach Rollers (G) to Hanger Brackets (F) using an #832 Hex Head Screw (E). Note: protruding hex head on roller should always face hanger bracket.

STEP 7 Nylon Guides (for "W" track units only)



"W" track units should have factory installed Nylon Guides (S) at bottom corners of Door assemblies (D). Check for them at this time.

STEP 8 Door Panel Installation



Install the outside Door Panel (D) by Lifting Panel up and into the Header (B).

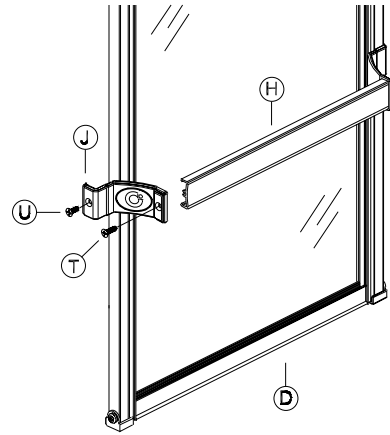
(W TRACK) Lower Panel into the bottom track Sill (A) and engage the Rollers (G) with the roller track.

(STAY CLEAN) Lower Panel into the Track Guide (R) and engage the Rollers (G) with the roller track.

Slide outside Door Panel into Wall Jamb located on wall opposite of shower head. Check Panel to make sure that it is parallel to the Wall Jamb. If it is not, remove the Door Panel and adjust the rollers either up or down by loosening the Roller Screws and sliding the Rollers. When satisfied with outside Door Panel alignment, proceed with inside Door Panel installation.

When installed, slide inside Door Panel into Wall Jamb located on **shower head wall** and check for alignment with Wall Jamb. Adjust Rollers as necessary.

STEP 9 Attach Towel Bar and Finger Pulls



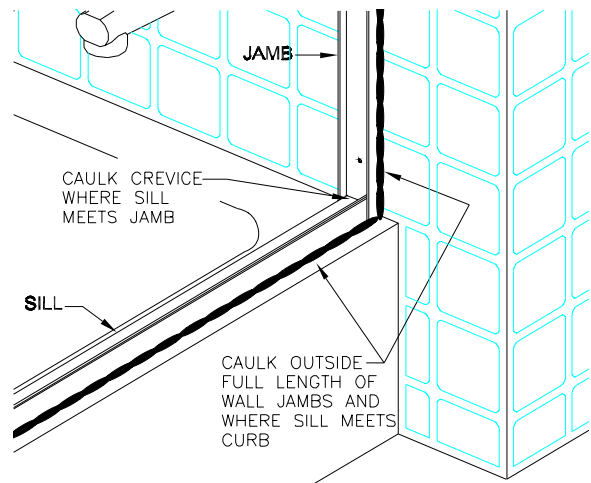
Loosely attach the Towel Bar Brackets (J) to the outside Door Panel Assembly (D) with the #6 x 3/8" flat head Screws (U) provided. Do not tighten screws at this time.

Attach Towel Bar (H) to the Brackets (J) with the two #6 x 1/2" flat head Screws (T) provided. Tighten all Towel Bar Screws at this time (**do not . . . repeat . . . do not over tighten**).

Remove backing from Coastal Industries Logo Stickers (V) and adhere to each of the two (2) Towel Bar Brackets.

Now attach the Finger Pulls (I) to the inside Door Panel Assembly (D) with the two #6 x 3/8" Phillips Flat Screws (U) provided (see exploded view 1 - sheet 1).

STEP 10 Leak Proof Installation



To insure a leak proof installation . . . run a bead of clear mildew resistant caulking down the full length of each Wall Jamb, **outside** where the Jambs meet the wall (see figure). Now caulk **outside** where the Sill meets the curb (see figure).

Finally, caulk the crevice(s) where the Sill meets the Wall Jambs (see figure). Follow caulking manufacturer's instructions before using shower. Installation is now complete.

Note:

Never caulk the inside of the shower unit as this will cause your unit to be susceptible to water leaks.

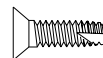
BAGGIE CODE NO. OMAW
Installation Hardware
(Omega Bypass w/ "W" Track) brite



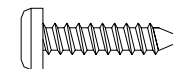
1329 (6 pcs)
Plastic Wall Anchors



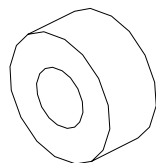
638F (4 pcs)
Towel Bar Bracket & Finger Pull Screw
#6x3/8" Flat Head Screw



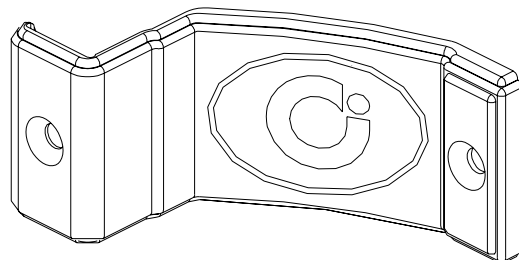
612F (2 pcs)
Towel Bar Screw
#6x1/2" Flat Head Screw



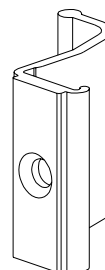
834P (6 pcs)
Wall Jamb Installation Screw
#8x3/4" Pan Head Screw



5168S (2 pcs)
Bumper



CP545B (2 pcs)
Nylon Towel Bar Brackets



CP546B (2 pcs)
Nylon Finger Pulls

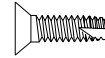
BAGGIE CODE NO. OMAWG
Installation Hardware
(Omega Bypass w/ "W" Track) gold



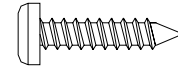
1329 (6 pcs)
Plastic Wall Anchors



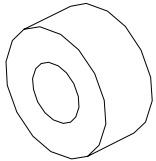
638F (4 pcs)
Towel Bar Bracket & Finger Pull Screw
#6x3/8" Flat Head Screw



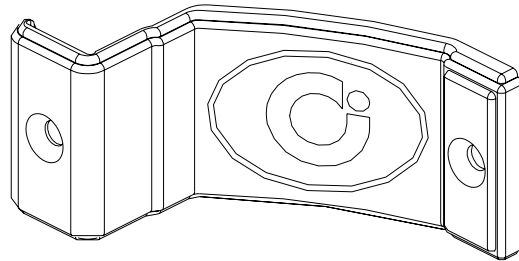
612F (2 pcs)
Towel Bar Screw
#6x1/2" Flat Head Screw



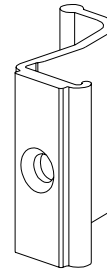
834P (6 pcs)
Wall Jamb Installation Screw
#8x3/4" Pan Head Screw



5168S (2 pcs)
Bumper

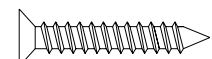
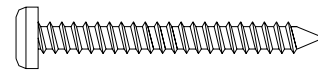
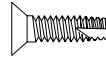


CP545B (2 pcs)
Nylon Towel Bar Brackets



239 (2 pcs)
Finger Pulls

BAGGIE CODE NO. KOMASC
Installation Hardware
Omega Bypass (Stay Clean) brite

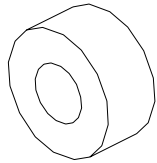


638F (4 pcs)
Towel Bar Bracket & Finger Pull Screw
#6x3/8" Flat Head Screw

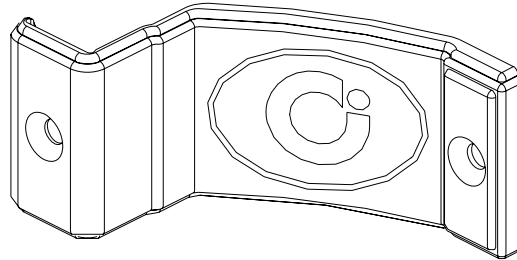
612F (2 pcs)
Towel Bar Screw
#6x1/2" Flat Head Screw

8112 (4 pcs)
Wall Jamb Installation Screw
#8x1-1/2" Pan Head Screw

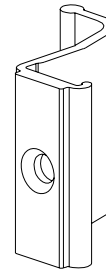
81FHP (2 pcs)
Panel Guide Screw
#8x1" Flat Head Screw



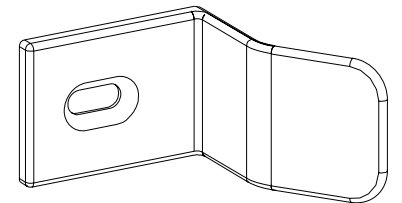
5168S (2 pcs)
Bumper



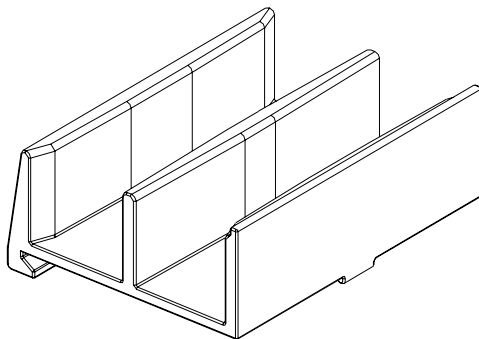
CP545B (2 pcs)
Nylon Towel Bar Brackets



CP546 (2 pcs)
Nylon Finger Pulls



CP110A (2 pcs)
Jamb Panel Guide

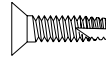


CP1102 (1 pc)
Stay Clean Door Guide

BAGGIE CODE NO. KOMASCG
Installation Hardware
Omega Bypass (Stay Clean) gold



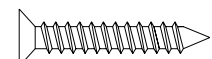
638FG (4 pcs)
Towel Bar Bracket & Finger Pull Screw
#6x3/8" Flat Head Screw



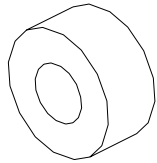
612FG (2 pcs)
Towel Bar Screw
#6x1/2" Flat Head Screw



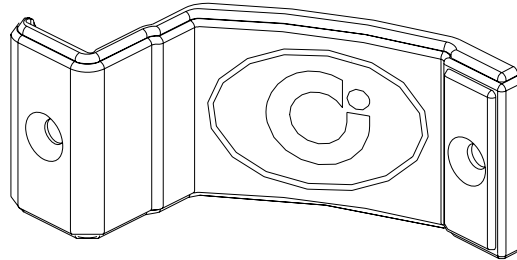
8112G (4 pcs)
Wall Jamb Installation Screw
#8x1-1/2" Pan Head Screw



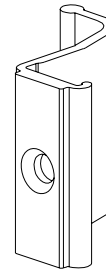
81FHGP (2 pcs)
Panel Guide Screw
#8x1" Flat Head Screw



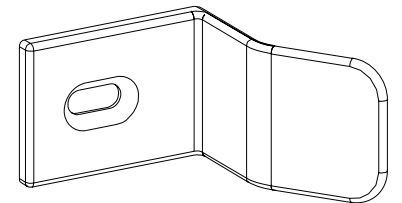
5168S (2 pcs)
Bumper



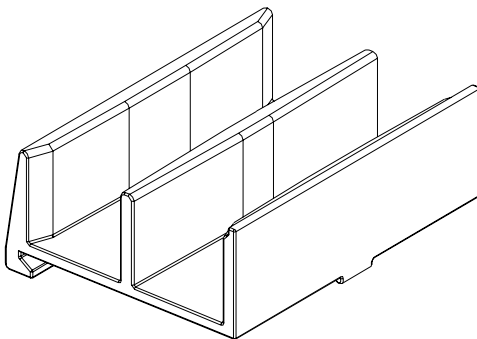
CP545B (2 pcs)
Nylon Towel Bar Brackets



CP546 (2 pcs)
Nylon Finger Pulls



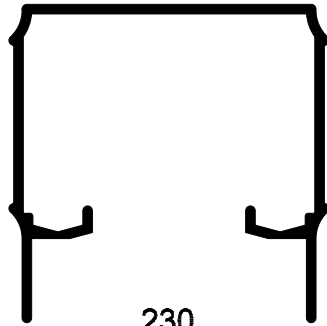
CP110A (2 pcs)
Jamb Panel Guide



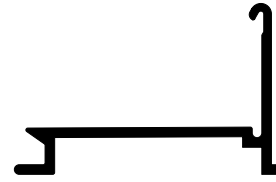
CP1102 (1 pc)
Stay Clean Door Guide



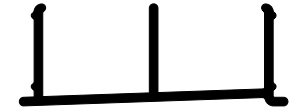
136
Towel Bar



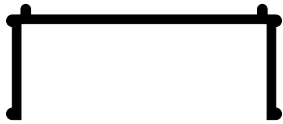
230
Header



231
Stay Clean Track



232
W - Track



233
Wall Jamb



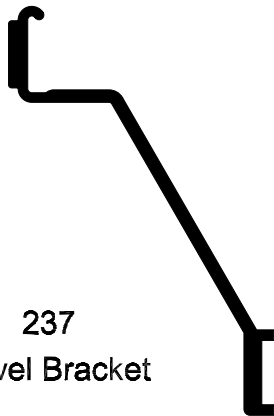
234
Hanger Bracket



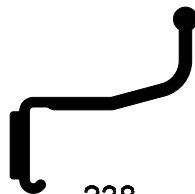
235
Panel Rail



236
Panel Stile



237
Towel Bracket



238
Finger pull

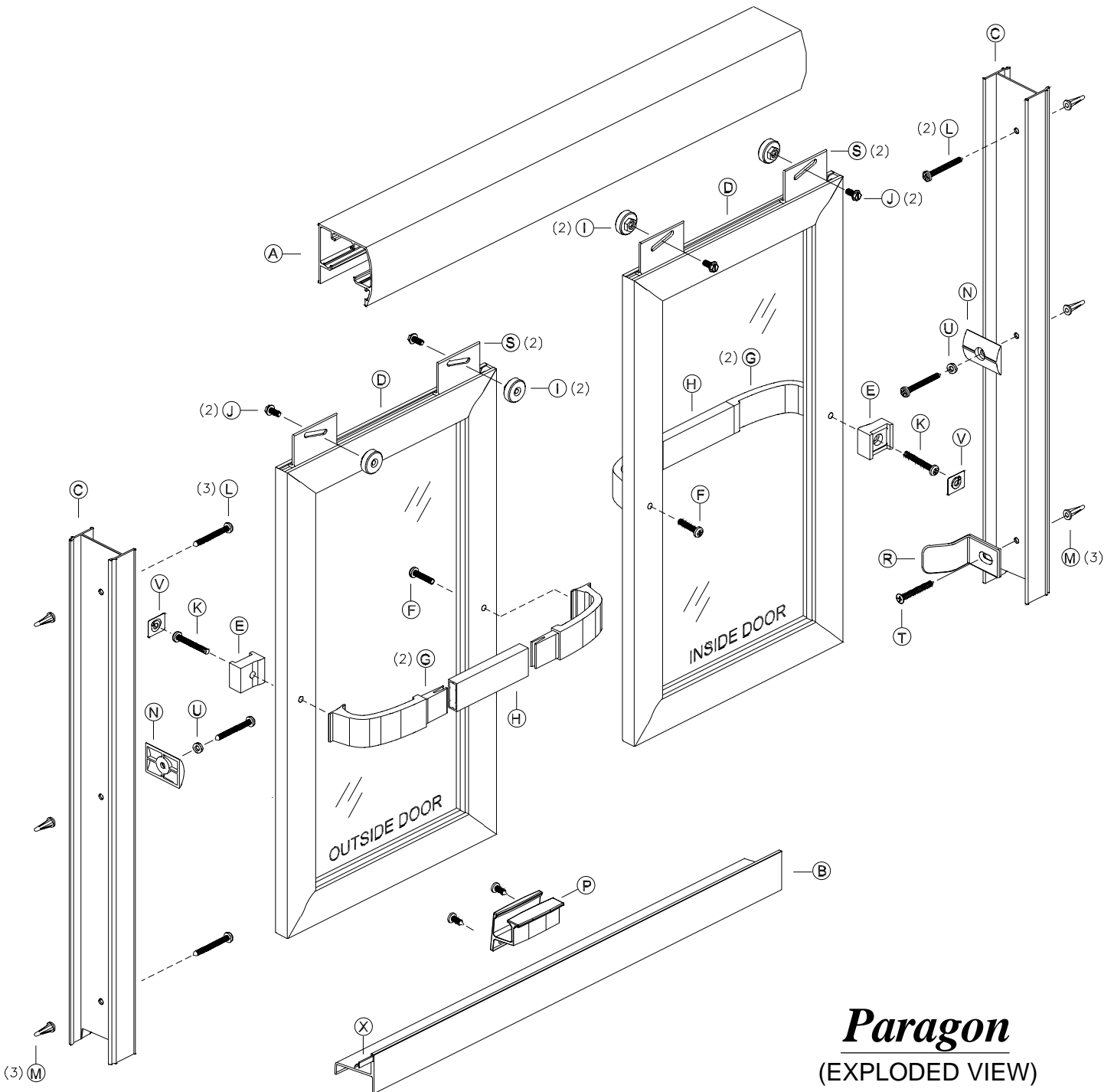
Coastal Industries Inc.

FAX NO.
(904) 641-1697

P.O BOX 16091
JACKSONVILLE FLORIDA 32246

TELEPHONE NO.
(904) 642-3970

Paragon By-Pass unit Installation Instructions



Paragon
(EXPLODED VIEW)

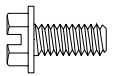
PARTS LIST

KEY LETTER	PART NUMBER	DESCRIPTION	QUANTITY
A	620	HEADER	1
B	651	SILL	1
C	643	WALL JAMB	2
D	---	DOOR PANEL ASSEMBLY	2
E	8156	FINGER PULL, TOWEL BAR	2
F	832MSPHP	TOWEL BAR W/ NO FINGER PULL SCREW	2
G	CP22	TOWEL BAR BRACKETS	4
H	21	TOWEL BAR	2
I	PN193	ROLLER (attached)	4
J	832HEX	ROLLER SCREWS (attached)	4
K	832114	TOWEL BAR W/ FINGER PULL SCREW	2
L	8112	INSTALLATION SCREWS	5
M	1329	PLASTIC SCREW ANCHOR	6
N	5169	BUMPER	2
P	CP1111	TRACK GUIDE	1
R	CP110	JAMB GUIDE	1
S	35	HANGER BRACKET (installed)	4
T	82F	JAMB GUIDE SCREW	1
U	CP104TW	BUMPER WASHER	2
V	8157	CI LOGO (STICKER)	2
W	638PHPT	#6x3/8" SELF DRILLING SCREW	2
X	C494B	SILL SEAL VINYL	1

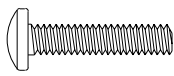
TOOLS NEEDED

HACKSAW	STANDARD SCREW DRIVER OR 1/4'
ELECTRIC DRILL	LEVEL
3/16" MASONRY DRILL BIT	HAMMER
PENCIL / FELT TIP PEN	CENTER PUNCH
SAFETY GLASSES	PHILLIPS SCREW DRIVER
MEASURING TAPE	CLEAR CAULKING OR SEALANT (MII)
MASKING TAPE	

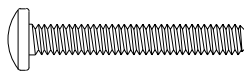
Unit Installation Screws (shown full size for reference)



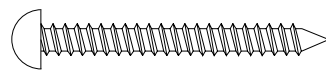
(J)_832HEX
ROLLER SCREW



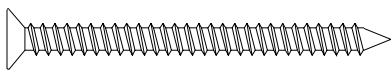
(F)_832MSPHP
TOWEL BAR SCREW



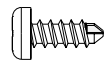
(K)_832114 TOWEL BAR
WITH FINGER PULL SCREW



(L)_8112 INSTALLATION SCREW



(T)_82F JAMB GUIDE SCREW

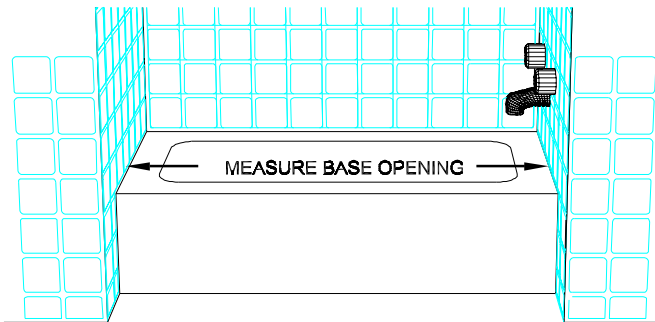


(W)_638PHT TRACK GUIDE SCREW

BEFORE STARTING

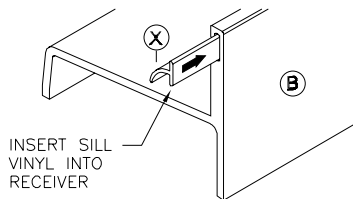
Please check the box contents against the parts list. *Make sure that all material is accounted for before starting unit installation.*

STEP 1 Measure base opening & cut Sill



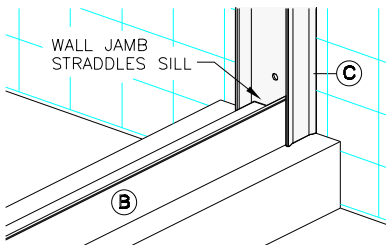
Measure the base opening along center of shower curb as shown in figure 1, then trim Sill (B) to measurement obtained.

STEP 2 Trim Insert Vinyl Seal into Sill



Trim the Vinyl Seal (X) to an inch and one eighth (1-1/8") less than the base opening. Slide Vinyl Seal into the Sill's receiver as shown in figure 2 and center it on the Sill.

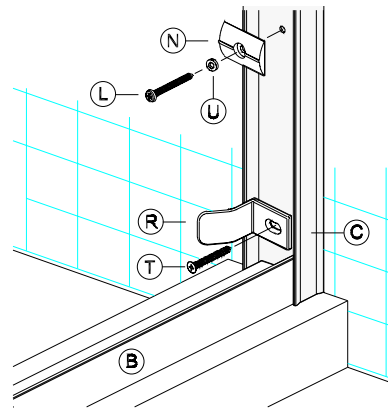
STEP 3 Position Sill and Wall Jamb



With high lip toward exterior of enclosure, position Sill at center of shower curb. Temporarily tape Sill to shower curb to prevent movement.

Place Wall Jamb (C) on to ends of Sill (B) and up against shower walls as shown in figure 3. Push the notched Wall Jamb down over the Sill, making sure the Jamb is securely seated onto the Sill. Plumb the Jamb, then pencil mark their installation hole locations on the shower walls (3 per jamb). Remove Wall Jamb. Using a 3/16" glass / tile drill bit, drill 1" deep installation holes in locations previously marked. Insert Plastic Screw Anchors (M) into holes.

STEP 4 Secure Wall Jamb

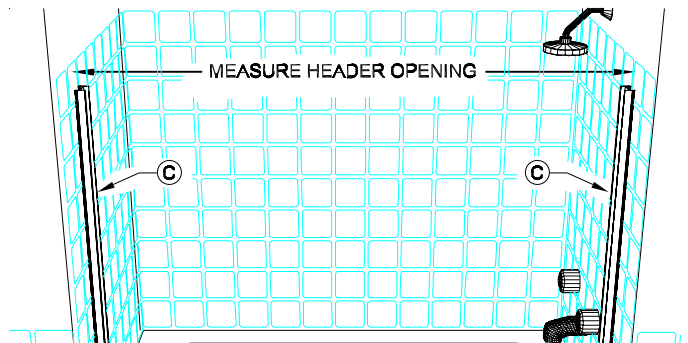


Reposition Wall Jamb as before and secure to shower walls using five (5) #8 x 1-1/2" Installation Screws (L), see exploded view - sheet 1.

Insure that both Jamb Bumpers (N) and Bumper Washers (U) are secured to the Wall Jamb (C) using the center installation screw, see figure above and exploded view - sheet 1.

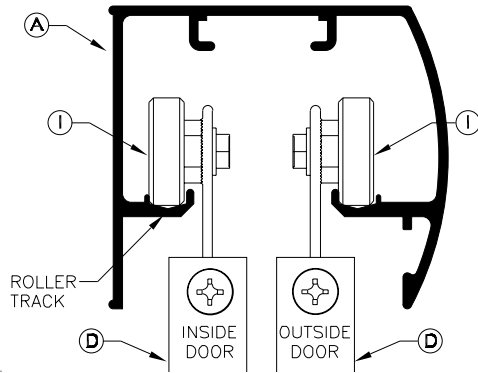
Use the #8 x 2" Flat Head Screw (T) to secure Jamb Guide (R) to the lower installation hole of the Wall Jamb that is attached to the shower head wall.

STEP 5 Measure Header opening & cut Header



Measure the wall to wall opening at the top of the Wall Jamb (C) and cut the Header (A) to 1/16" less than the measurement obtained. Position Header (A) on top of the Wall Jamb (C) and leave it there as we make preparations for panel installation.

STEP 6 Door Panel Installation



Take what will be the inside Panel and stand it inside the shower enclosure (make sure the Rollers are facing toward the inside of the enclosure as shown in exploded view - sheet 1). Leave it there temporarily.

Install the outside Door Panel (D) by Lifting the Panel up and into the Header (A). Lower the Panel and engage the Rollers (I) with the roller track.

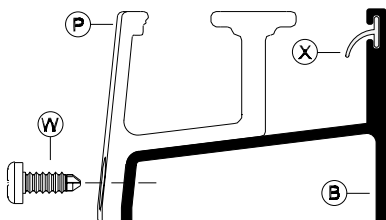
Slide outside Door Panel into Wall Jamb located on wall opposite of shower head.

Check Panel to make sure that it is parallel to the Wall Jamb. If it is not, remove the Door Panel and adjust the rollers either up or down by loosening the Roller Screws and sliding the Rollers.

When satisfied with outside Door Panel alignment, proceed with inside Door Panel installation.

When installed, slide the inside Door Panel into the Wall Jamb located on **shower head wall** and check for alignment with Wall Jamb. Adjust Rollers as necessary.

STEP 7 Screw on Track Guide



To insure proper operation, Track Guide (P) must be centered on Sill (B) when installed.

Open the shower door enclosure so that both Door Panels are up against the same Wall Jamb.

Locate the center of Sill and position the Track Guide on the Sill, making sure that the Door Panels are riding in their respective tracks.

Using the holes on Track Guide as templates, secure Guide to the Sill using two 638phpt Self Drilling Screws (W) as shown in figure above.

When finished, closed Door Panels as before (inside panel toward shower head wall, outside panel against opposite wall).

STEP 8 Towel Bar Installation

Close Door Panels (inside Panel against shower head wall and outside Panel against opposite wall). See figures 7A and 7B.

Note that both inner Brackets must be installed first. Do so at this time and secure to Panels with a #832 x 3/4" Towel Bar Screw (F).

Now finish Towel Bar installation for each Door Panel as shown in exploded view and secure with a #832 x 1-1/4" Towel Bar Screw (K). Don't forget the Finger Pulls (E).

Finish Towel Bar installation by peeling the back off the metallic Cl logo (V) and installing it over the screw head on the Finger Pulls (E) as shown in exploded view - front sheet.

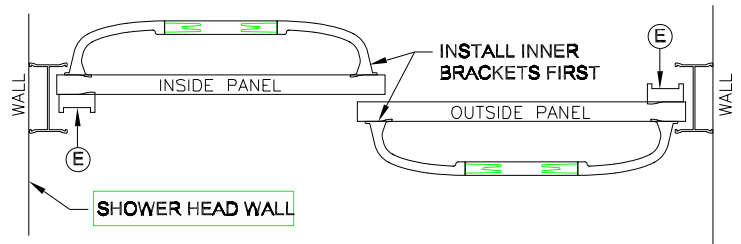


FIGURE 7A
(SHOWER HEAD ON LEFT)

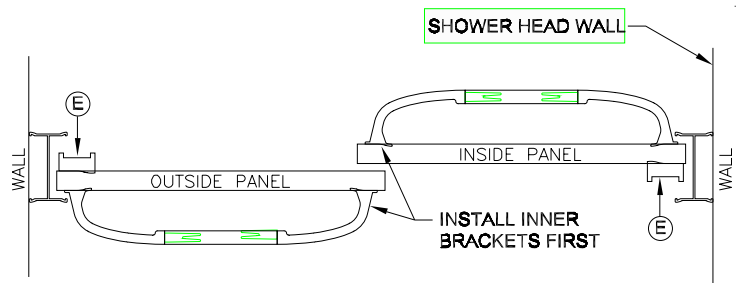
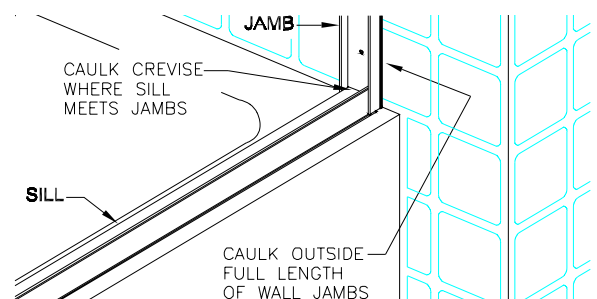
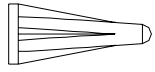


FIGURE 7B
(SHOWER HEAD ON RIGHT)

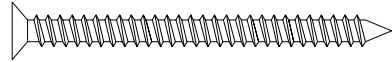
STEP 9 Leak Proof Installation

To insure a leak proof installation . . . Run a bead of clear mildew resistant caulking down the full length of each Wall Jamb **outside** where the Wall Jambs meet the walls. Now caulk the crevice where the sill meets either Wall Jamb. Follow caulking manufacturer's instructions before using shower. Installation is now complete.





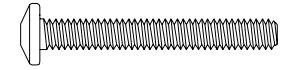
1329 (6 pcs)
Plastic Wall Anchors



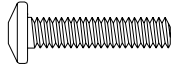
82F (1 pc)
Panel Guide Screw
#8x2" Flat Head Screw



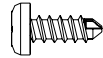
8112 (5 pcs)
Wall Jamb Installation Screw
#8x1-1/2" Pan Head Screw



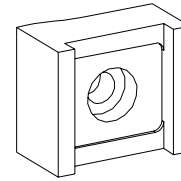
832114 (2 pcs)
Towel Bar Bracket Screw
#8x1-1/4" Pan Head Screw
used w/ pull



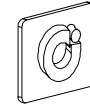
832PHP (2 pcs)
Towel Bar Bracket Screw
#8x3/4" Pan Head Screw



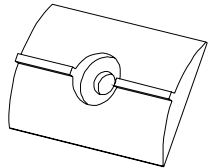
638PHPT (2 pcs)
Door Guide Screw
#6x3/8" Pan Head Screw



8156 (2 pcs)
Anti Bypass Pull



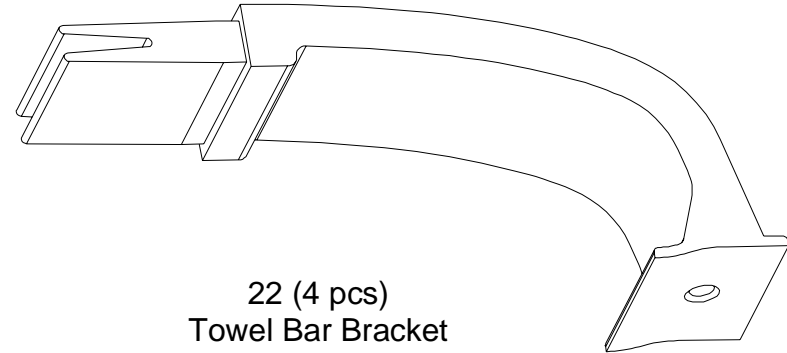
8157 (2 pcs)
CI Logo Label



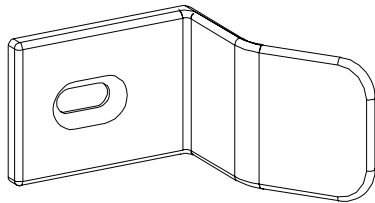
5169B (2 pcs)
BUMPER



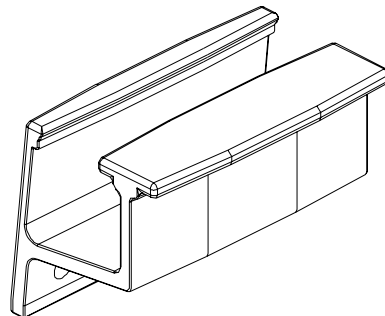
CP104TW (2 pcs)
Bumper Washer



22 (4 pcs)
Towel Bar Bracket

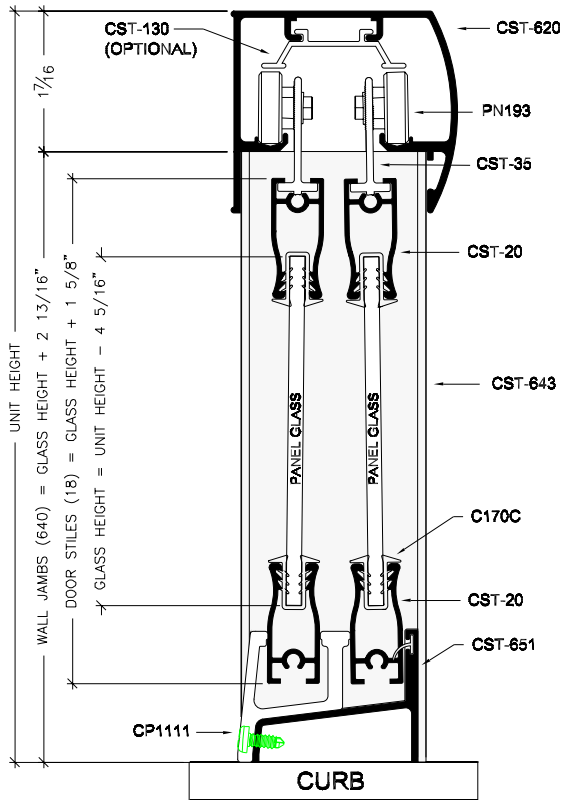


CP110A (1 pc)
Jamb Guide



CP1111 (1 pc)
Door Guide

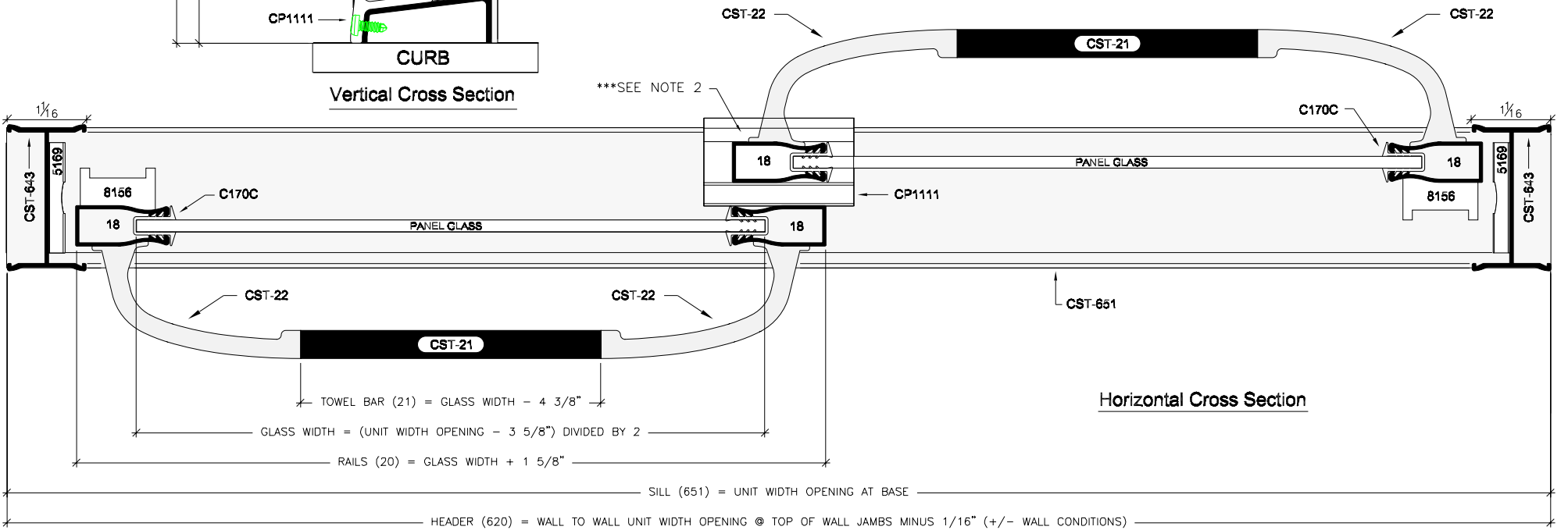
BAGGIE CODE NO. PARB71, PARG71, PARW71
Installation Hardware
(Paragon Bypass)



Vertical Cross Section

NOTES:

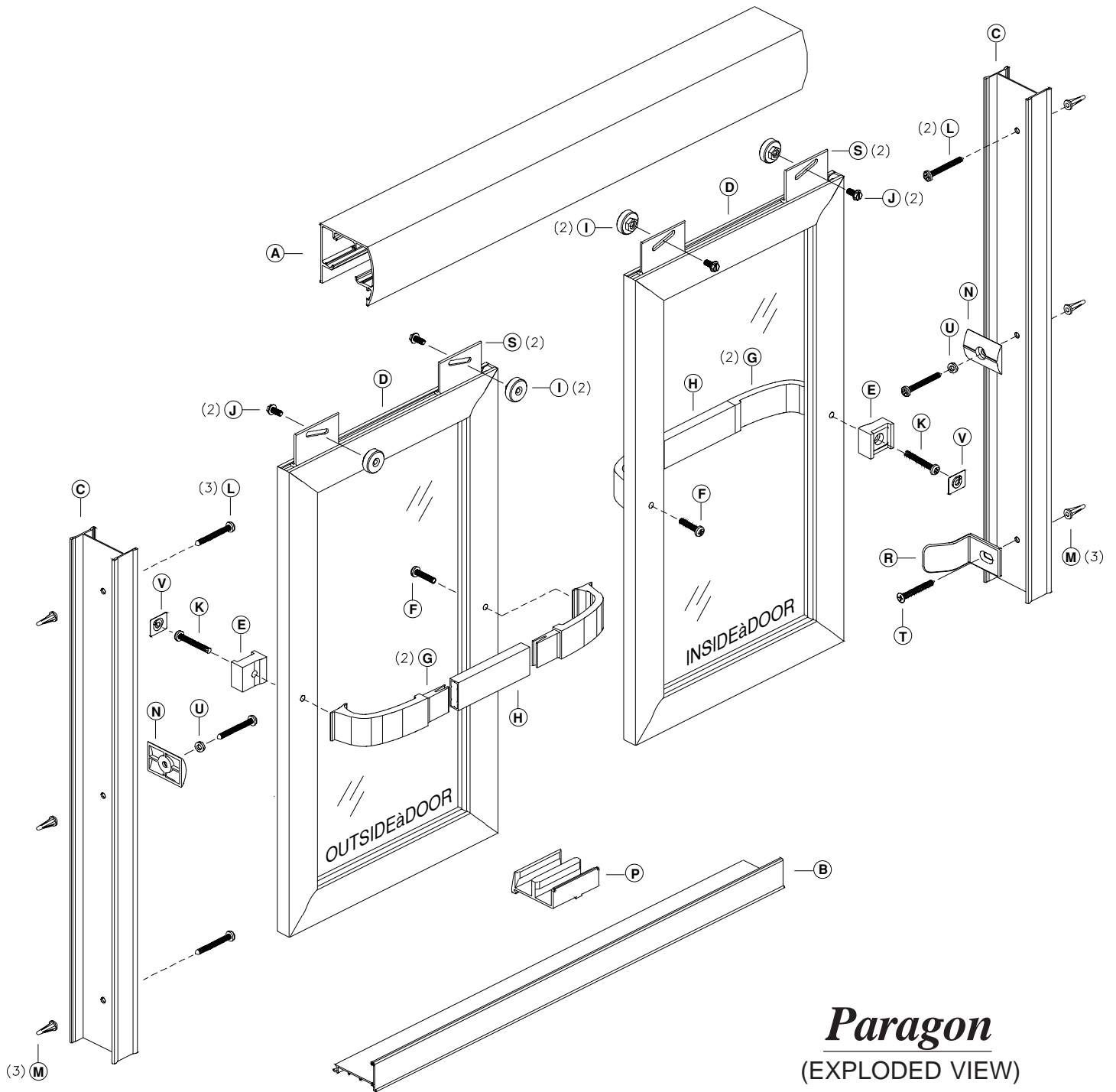
1. FORMULAS ARE BASED ON A MINIMUM WIDTH OPENING. WHEN MEASURING OPENING WIDTHS, ALWAYS CHECK FOR OUT OF PLUMB WALL CONDITIONS.
- *** 2. FORMULAS FOR GLASS WIDTHS SHOWN WILL YIELD A "PERFECT OVERLAP". THE TERM DESCRIBES THE OVERLAPPING CONDITION OF THE TWO PANELS WHEN CLOSED (PANEL STILES ARE ALIGNED WHEN LOOKED AT STRAIGHT ON).



Horizontal Cross Section

Series	Unit Configuration
PARAGON	Framed Bypass Door

Paragon
By-Pass unit
Installation Instructions



Paragon
(EXPLODED VIEW)

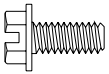
PARTS LIST

KEY	PART		
LETTER	NUMBER	DESCRIPTION	QUANTITY
A	620	HEADER	1
B	630	SILL	1
C	643	WALL JAMB	2
D	----	DOOR PANEL ASSEMBLY	2
E	8156	FINGER PULL, TOWEL BAR	2
F	832MSPHP	TOWEL BAR W/ NO FINGER PULL SCREW	2
G	CP22	TOWEL BAR BRACKETS	4
H	21	TOWEL BAR	2
I	PN193	ROLLER (attached)	4
J	832HEX	ROLLER SCREWS (attached)	4
K	832114	TOWEL BAR W/ FINGER PULL SCREW	2
L	8112	INSTALLATION SCREWS	5
M	1329	PLASTIC SCREW ANCHOR	6
N	5169	BUMPER	2
P	CP1110	TRACK GUIDE	1
R	CP110	JAMB GUIDE	1
S	35	HANGER BRACKET (installed)	4
T	82F	JAMB GUIDE SCREW	1
U	CP104TW	BUMPER WASHER	2
V	8157	CI LOGO (STICKER)	2

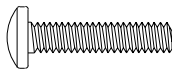
TOOLS NEEDED

HACKSAW	STANDARD SCREW DRIVER OR 1/4" WRENCH
ELECTRIC DRILL	LEVEL
3/16" MASONRY DRILL BIT	HAMMER
PENCIL / FELT TIP PEN	CENTER PUNCH
SAFETY GLASSES	PHILLIPS SCREW DRIVER
MEASURING TAPE	CLEAR CAULKING OR SEALANT (MILDEW RESISTANT)
MASKING TAPE	

Unit Installation Screws (shown full size for reference)



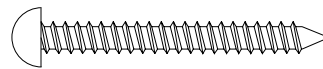
(J)_832HEX
ROLLER SCREW



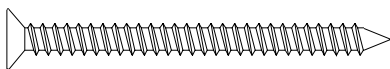
(F)_832MSPHP
TOWEL BAR SCREW



(K)_832114 TOWEL BAR
WITH FINGER PULL SCREW



(L)_8112 INSTALLATION SCREW

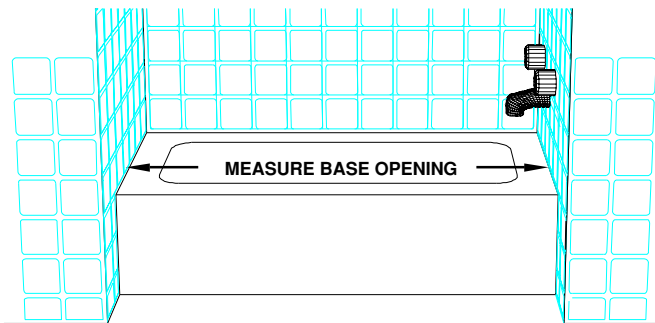


(T)_82F JAMB GUIDE SCREW

BEFORE STARTING

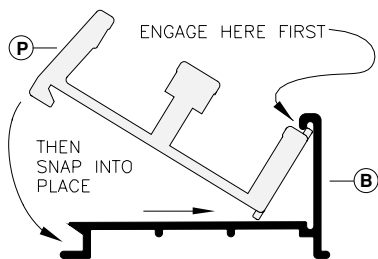
Please check the box contents against the parts list. *Make sure that all material is accounted for before starting unit installation.*

STEP 1 Measure base opening & cut Sill



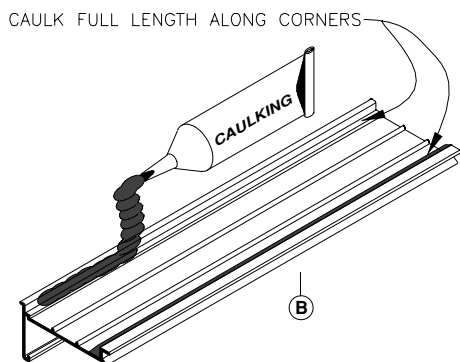
Measure base opening along the center of the shower curb as shown in step 1. Using a hacksaw . . . cut the Sill (B) to 1-3/16" less than the base opening. With high lip to the exterior, position Sill (B) on the shower curb . . . insuring that it is centered left to right and front to back. When satisfied that Sill (B) is properly centered . . . tape Sill to curb and pencil mark it's position. Check to see that Sill has been cut to the proper length by temporarily placing Wall Jambes at either end of Sill (B) (as shown in step 4) and checking for proper fit. Remove Sill from curb.

STEP 2 Snap on Track Guide



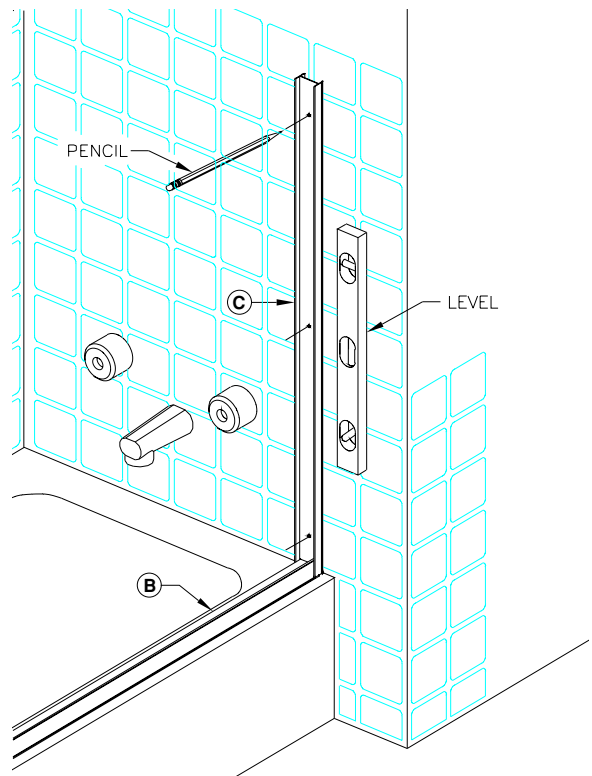
For proper operation, Track Guide (P) must be centered on Sill (B). Measure the length of Sill (B) and pencil mark the center. Now center the Track Guide (P) on the center mark and snap into place as shown in figure above.

STEP 3 Caulk Sill & reposition



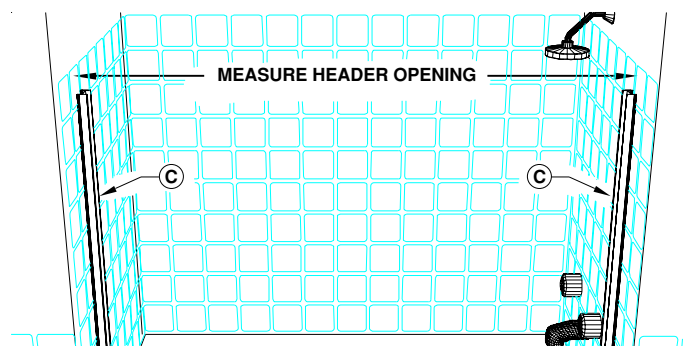
Turn Sill over and apply a bead of caulking the full length of the Sill as shown in figure. Apply enough to slightly overfill both corners. Reposition Sill on shower curb in the exact location previously pencil marked in step 1. *At this time the sill may be re-taped to the shower curb to prevent drastic movement while installing the wall jambes.*

STEP 4 Installing Wall Jambes



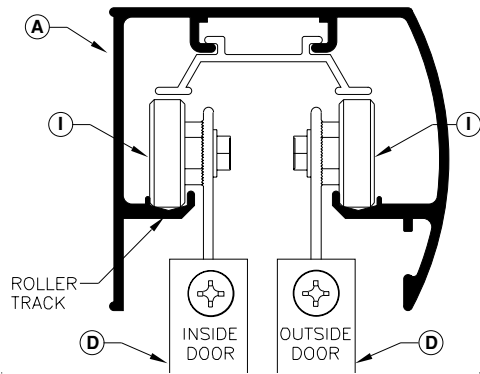
Position Wall Jambes (C) onto ends of Sill (B) and up against shower walls. Use a level to plumb the Wall Jambes (C), then make a pencil mark on the shower walls thru each of the six (6) installation holes (*three per jamb*). Remove Wall Jambes (C) and lightly center punch installation hole locations. Drill 1" deep installation holes using a 3/16" masonry bit and Insert Plastic Screw Anchors (M). Reposition Wall Jambes as before and secure to shower walls using five (5) #8 x 1-1/2" Installation Screws (L). Insure that both Jamb Bumpers (N) and Bumper Washers (U) are secured to the Wall Jambes (C) using the center installation screw (see *exploded view*). Use the #8 x 2" Flat Head Screw (T) to secure Jamb Guide (R) to lower installation hole of Wall Jamb attached to shower head wall.

STEP 5 Measure Header opening & cut Header



Measure the wall to wall opening at the top of the Wall Jambes (C) and cut the Header (A) to 1/16" less than the measurement obtained. Position Header (A) on top of the Wall Jambes (C) and leave it there as we make preparations for panel installation.

STEP 6 Door Panel Installation



Install the outside Door Panel (D) by Lifting Panel up and into the Header (A). Lower Panel into the Track Guide (P) and engage the Rollers (I) with the roller track.

Slide outside Door Panel into Wall Jamb located on wall opposite of shower head. Check Panel to make sure that it is parallel to the Wall Jamb. If it is not, remove the Door Panel and adjust the rollers either up or down by loosening the Roller Screws and sliding the Rollers. When satisfied with outside Door Panel alignment, proceed with inside Door Panel installation.

When installed, slide inside Door Panel into Wall Jamb located on **shower head wall** and check for alignment with Wall Jamb. Adjust Rollers as necessary.

STEP 7 Towel Bar Installation

Close Door Panels (inside Panel against shower head wall and outside Panel against opposite wall). See figures 7A and 7B.

Note that both inner Brackets must be installed first. Do so at this time and secure to Panels with a #832 x 3/4" Towel Bar Screw (F).

Now finish Towel Bar installation for each Door Panel as shown in exploded view and secure with a #832 x 1-1/4" Towel Bar Screw (K). Don't forget the Finger Pulls (E).

Finish Towel Bar installation by peeling the back off the metallic CI logo (V) and installing it over the screw head on the Finger Pulls (E) as shown in exploded view - front sheet.

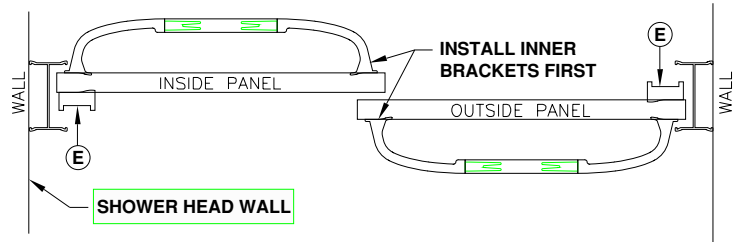


FIGURE 7A
(SHOWER HEAD ON LEFT)

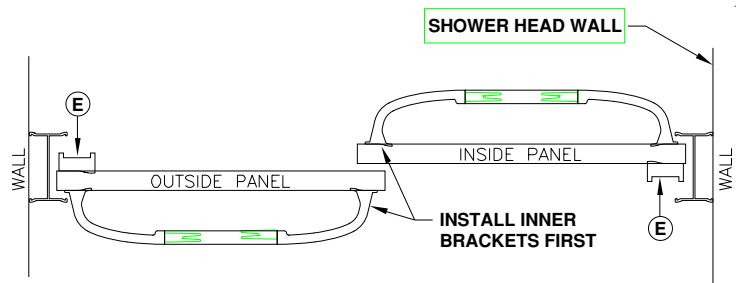
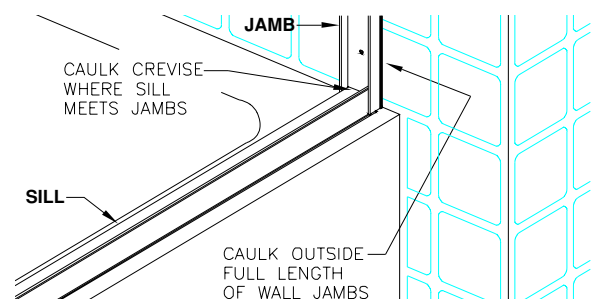
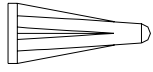


FIGURE 7B
(SHOWER HEAD ON RIGHT)

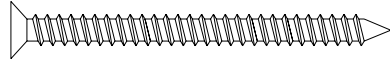
STEP 8 Leak Proof Installation

To insure a leak proof installation . . . Run a bead of clear mildew resistant caulking down the full length of each Wall Jamb **outside** where the Wall Jambs meet the walls. Now caulk the crevice where the sill meets either Wall Jamb. Follow caulking manufacturer's instructions before using shower. Installation is now complete. ENJOY!

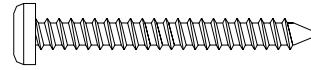




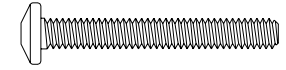
1329 (6 pcs)
Plastic Wall Anchors



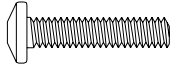
82F (1 pc)
Panel Guide Screw
#8x2" Flat Head Screw



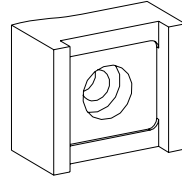
8112 (5 pcs)
Wall Jamb Installation Screw
#8x1-1/2" Pan Head Screw



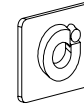
832114 (2 pcs)
Towel Bar Bracket Screw
#8x1-1/4" Pan Head Screw
used w/ pull



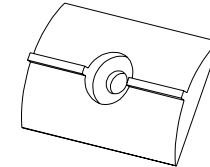
832PHP (2 pcs)
Towel Bar Bracket Screw
#8x3/4" Pan Head Screw



8156 (2 pcs)
Anti Bypass Pull



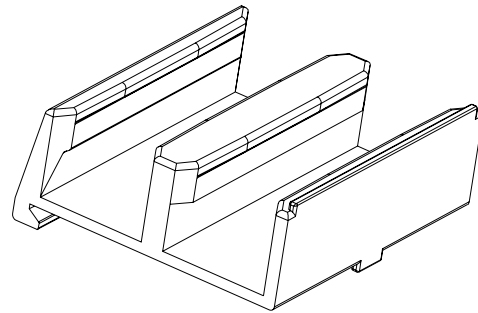
8157 (2 pcs)
CI Logo Label



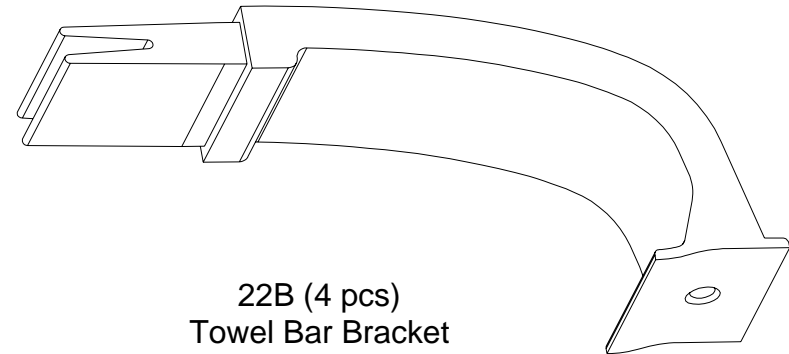
5169B (2 pcs)
BUMPER



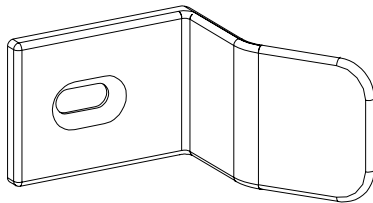
CP104TW (2 pcs)
Bumper Washer



CP1110 (1 pc)
Door Guide

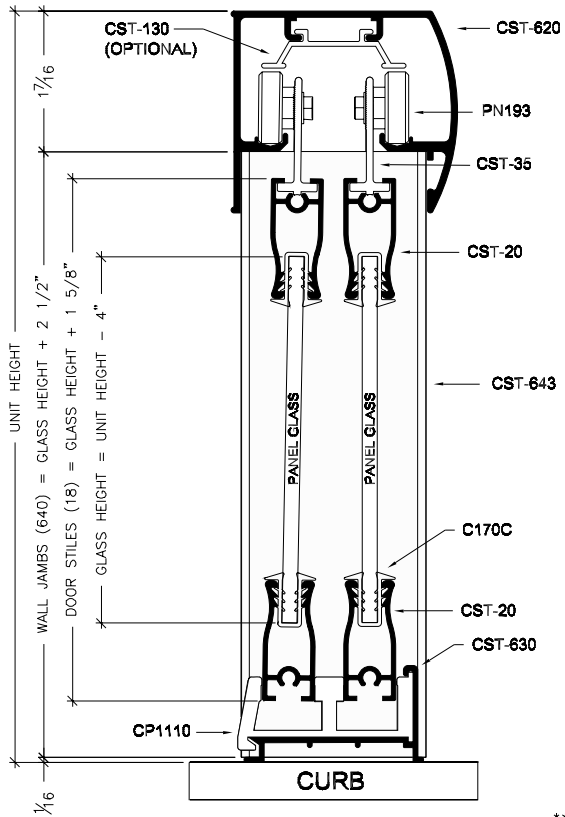


22B (4 pcs)
Towel Bar Bracket



CP110A (1 pc)
Jamb Guide

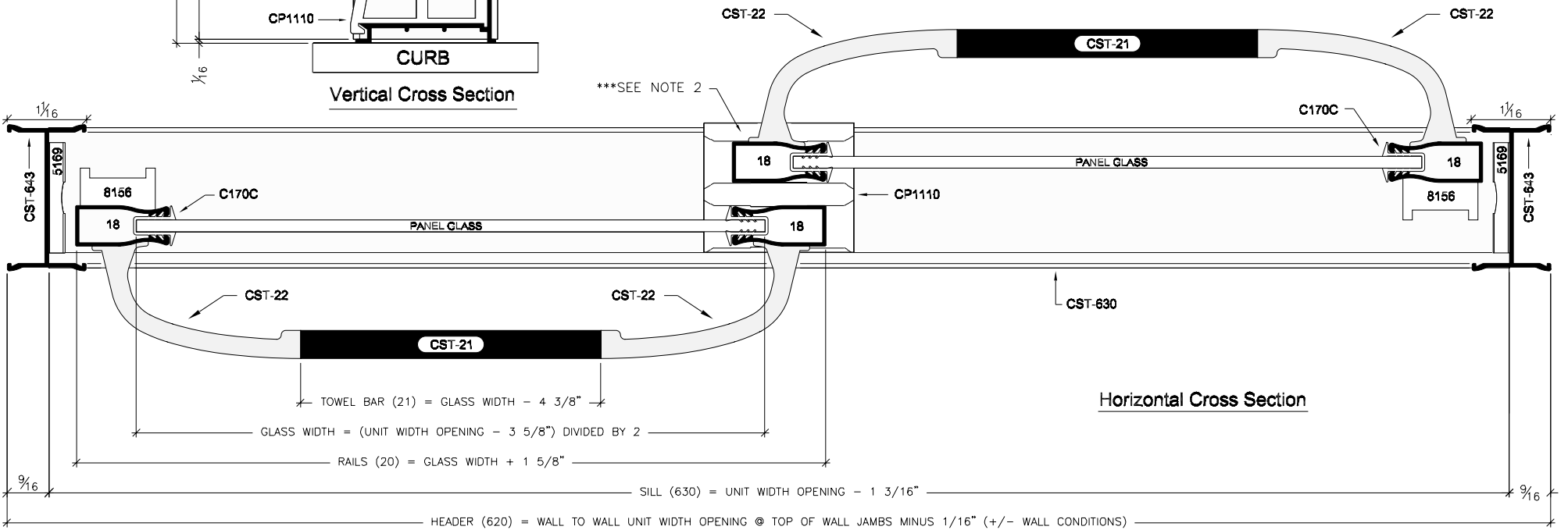
BAGGIE CODE NO. PBPFDDB
Installation Hardware
(Paragon Bypass) brite



Vertical Cross Section

NOTES:

1. FORMULAS ARE BASED ON A MINIMUM WIDTH OPENING. WHEN MEASURING OPENING WIDTHS, ALWAYS CHECK FOR OUT OF PLUMB WALL CONDITIONS.
- *** 2. FORMULAS FOR GLASS WIDTHS SHOWN WILL YIELD A "PERFECT OVERLAP". THE TERM DESCRIBES THE OVERLAPPING CONDITION OF THE TWO PANELS WHEN CLOSED (PANEL STILES ARE ALIGNED WHEN LOOKED AT STRAIGHT ON).



***SEE NOTE 2

Series	Unit Configuration
PARAGON	Framed Bypass Door

FAX NO.
(904) 641-1697

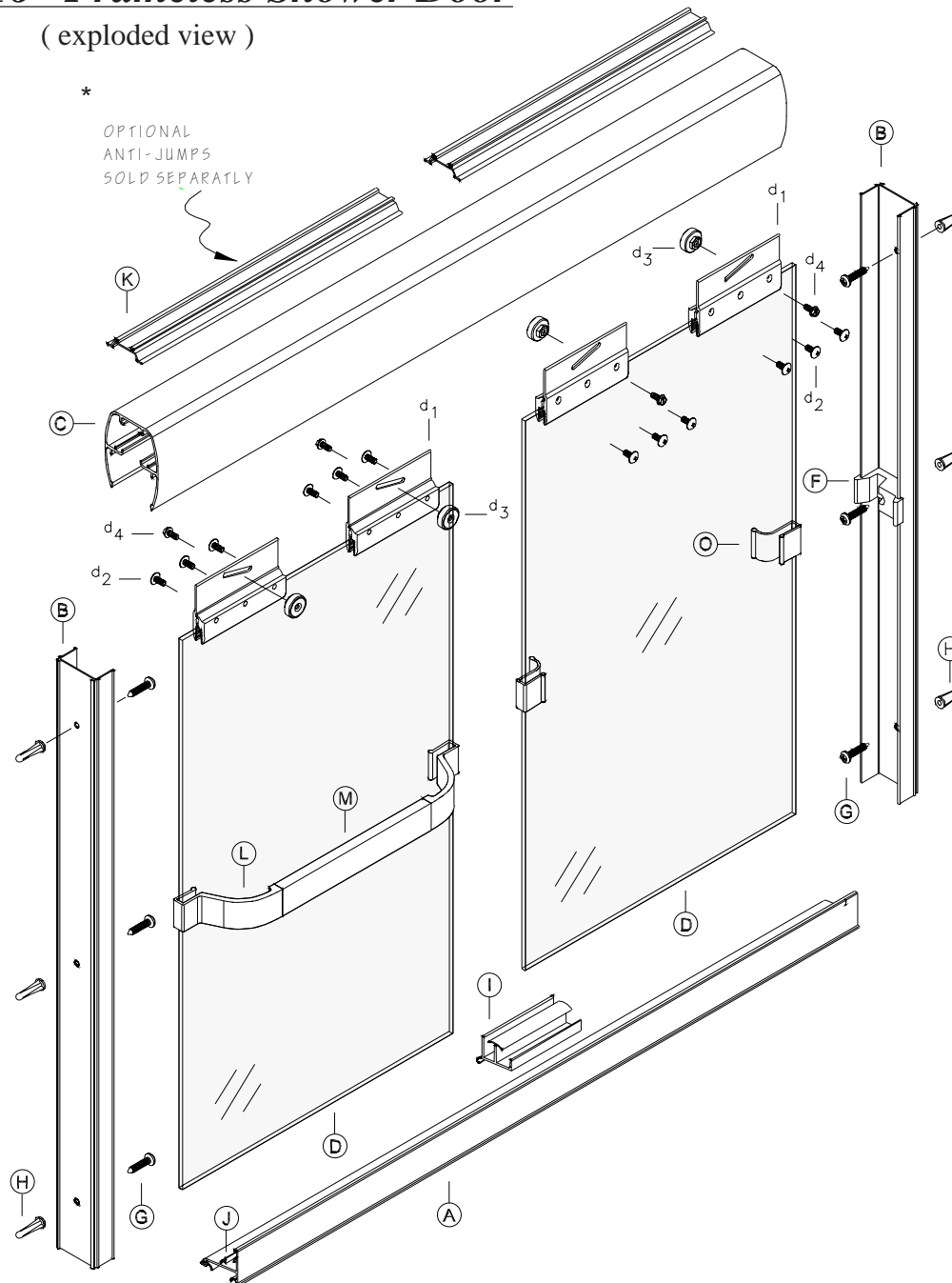
Coastal Industries Inc.

P.O BOX 16091
JACKSONVILLE, FLORIDA 32245

TELEPHONE NO.
(904) 642-3970

Paragon 3/16" Frameless Shower Door

(exploded view)



KEY LETTER	PART NUMBER	DESCRIPTION	QTY	KEY LETTER	PART NUMBER	DESCRIPTION	QTY
A	492	SILL	1	E		(not used)	
B	126	WALL JAMB	1	F	5170	JAMB BUMPER	2
C	938	HEADER	1	G	834P	INSTALLATION SCREWS	6
D	---	GLASS PANEL ASSEMBLY.....	2	H	1329	PLASTIC SCREW ANCHOR	6
d1	280 / 281	Hanger Bracket (installed).....	2	I	C493G	TRACK GUIDE	1
d2	1012BHP	Hanger Bracket Screws (installed)	6	J	C494B	SILL SEAL VINYL	1
d3	PN88	Nylon Roller (installed)	2	K	* 130	ANTI - JUMP (optional)	2
d4	832HEX	Roller Screws (installed)	2	L	936	TOWEL BAR BRACKETS	2
d5	C186G	Vinyl, (for brackets, installed, not shown)...	2	M	21	TOWEL BAR	1
				N	----	(designation not used)	--
				O	937	DOOR PULLS	2
				P	C964B	VINYL (door pulls and towel bar brackets)..	4

1. Measure the base opening along center of shower curb as shown in figure 1, then trim Sill (A) to 3/16" less than measurement obtained.

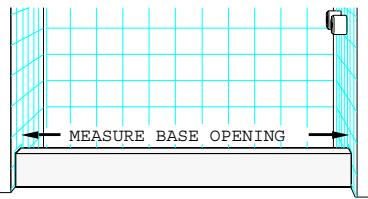


figure 1

2. Slide Vinyl Seal (J) into the Sill's receiver as shown in figure 2. Run the Vinyl the full length of the Sill, then trim any excess.

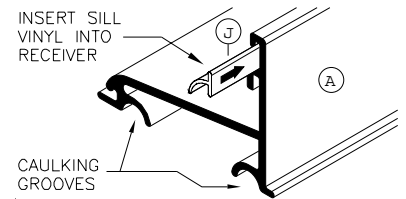


figure 2

3. To insure proper operation, Track Guide (I) must be centered on Sill (A) when installed. Located center of Sill. Apply small dab of caulking to underside of Track Guide, then snap Track Guide onto Sill as shown in figure 3.

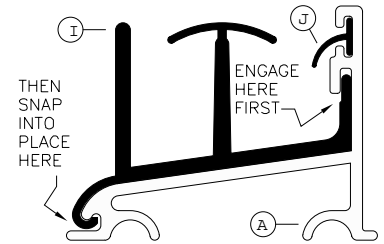


figure 3

4. Turn the Sill over and apply a bead of caulking the full length of the caulking grooves, see figure 2. With high lip toward exterior of enclosure, position Sill at center of shower curb. Temporarily tape Sill to shower curb to prevent movement.

5. Place Wall Jamb (B) on to ends of Sill (A) and up against shower walls as shown in figure 4. Plumb the Jamb, then pencil mark their installation holes locations on the shower walls (3 per jamb). Remove Wall Jamb. Using a 3/16" masonry bit, drill 1" deep installation holes in locations previously marked. Insert Plastic Screw Anchors (H) into holes.

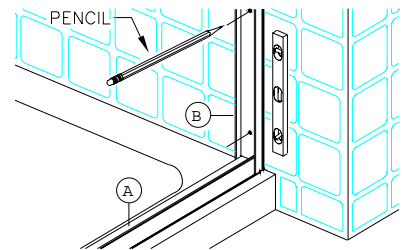


figure 4

6. Reposition Wall Jamb (B) as before. Using the top and bottom installation holes only . . . secure Jamb to walls using two(2) 834p Installation Screws (G). Do not secure Jamb at center at this time.

7. Measure the wall to wall opening at top of Wall Jamb and cut the Header (C) to 1/16" less than the measurement obtained. If model purchased comes with Anti - Jumps (K) . . . insert Anti - Jumps (K) into the Header's Anti -Jump receiver. Position and install the Header over the Wall Jamb.

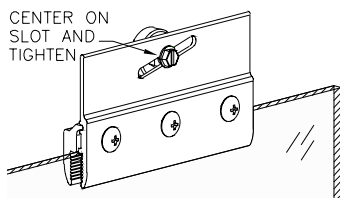


figure 5

Note:
If you are furnishing your own glass panel for this unit . . . proceed to step 8, now. If the glass panels came with the unit you purchased, then the bracket assemblies (d1 thru d5) in the parts table are already installed. Center your Nylon Rollers (d3) on the Hanger Brackets and tighten down on the Rollers Screws (d4) as shown in figure 5 and proceed to step 9, now.

8. Attach Hanger brackets as shown in exploded view - sheet 1. Begin by draping a Bracket Vinyl (d5) over the edge of the Glass Panel. Using three(3) Bracket Screws (d2), loosely assemble the two piece hanger bracket and positioned it over the Vinyl. Position the Hanger Bracket an inch from vertical edge of glass and tighten down the screws (allen wrench required). Next install the roller as shown and tighten down on screw. Repeat step for the remaining Hanger Brackets.

9. Install the Towel Bar (M) on the outside panel as shown in the exploded view - sheet 1 (note that the Towel Bar is on the same side as the Nylon Rollers) . Begin by wrapping Vinyl (P) over glass edge as shown in figure 7. Use a block of wood or a rubber mallet to tap Towel Bar Brackets (L) over Vinyl (P) until seated. Position Towel Bar (M) as shown and secure with four(4) 638 Screws (N).

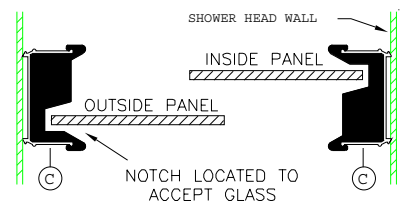


figure 6

Install remaining Vinyls (P) and the Door Pulls (O) onto the inside panel as shown in exploded view - sheet 1. Note that main handle of Door Pulls face toward inside of the enclosure so as to allow panels to "bypass" each other.

10. Install the outside Glass Panel (D) by lifting the Panel up and into the Header (B). Lower the Panel into the Track Guide (I) and engage the Rollers (d3) with the roller track.

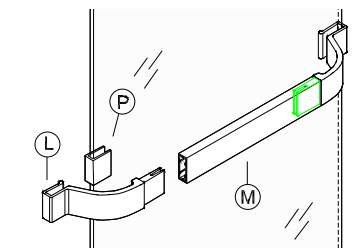


figure 7

Slide outside Door Panel into Wall Jamb located on wall opposite of shower head. Check Panel to make sure that it is parallel to the Wall Jamb. If it is not, remove the Door Panel and adjust the rollers either up or down by loosening the Rollers Screws and sliding the Rollers. When satisfied with outside Door Panel alignment, proceed with inside Door Panel installation.

When satisfied, slide inside Door Panel into Wall Jamb located on **shower head wall** and check for alignment with Wall Jamb. Adjust Rollers as necessary.

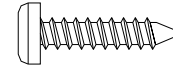
11. Attach Panel Bumpers (F) to Wall Jamb using a 834P Installation Screw (G). Please note that notches on bumpers are positioned so as to accept glass insertion, see figure 6.

12. Run a bead of clear mildew resistant caulking down the full length of each Wall Jamb **outside** where the Jamb meet the Walls. Now run a bead **outside** where the Sill meets the curb. Follow caulking manufacturer's instructions before using shower (normally 24 hours). Installation is now complete.

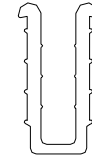
BAGGIE CODE NO. BBPFSB
Installation Hardware
(Bikini Frameless Bypass) brite



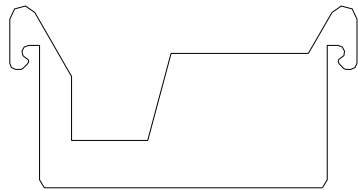
1329 (6 pcs)
Plastic Wall Anchors



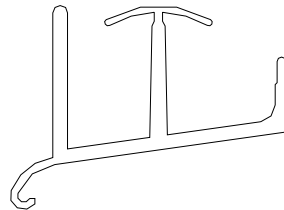
834P (6 pcs)
Wall Jamb Installation Screw
#8x3/4" Pan Head Screw



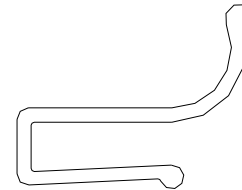
C964B (4 pcs)
Vinyl for Door Pulls &
Towel Bar Brackets



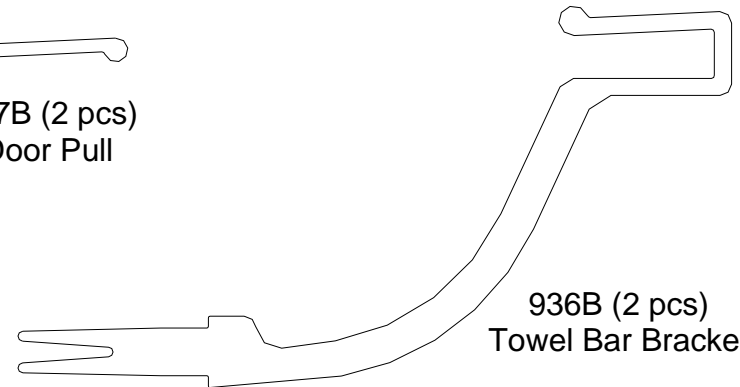
5170B (2 pcs)
Door Bumper / Guide



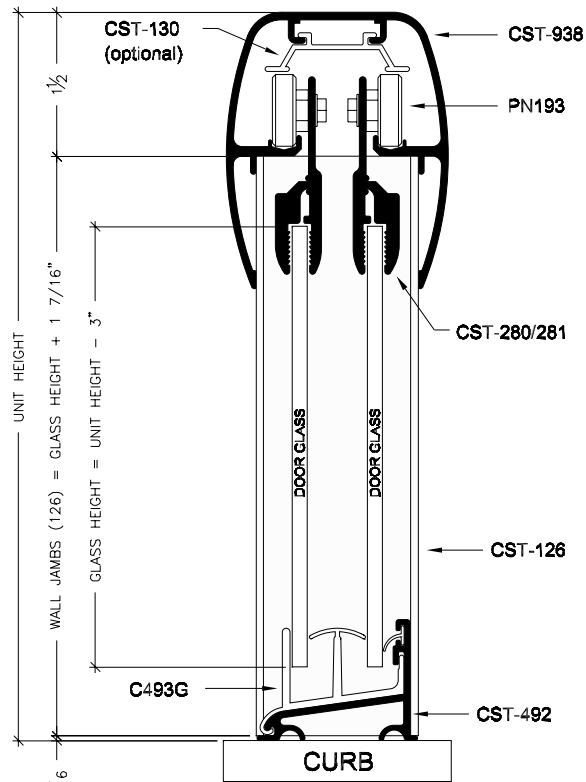
C493G (1 pc)
Snap in Panel Guide



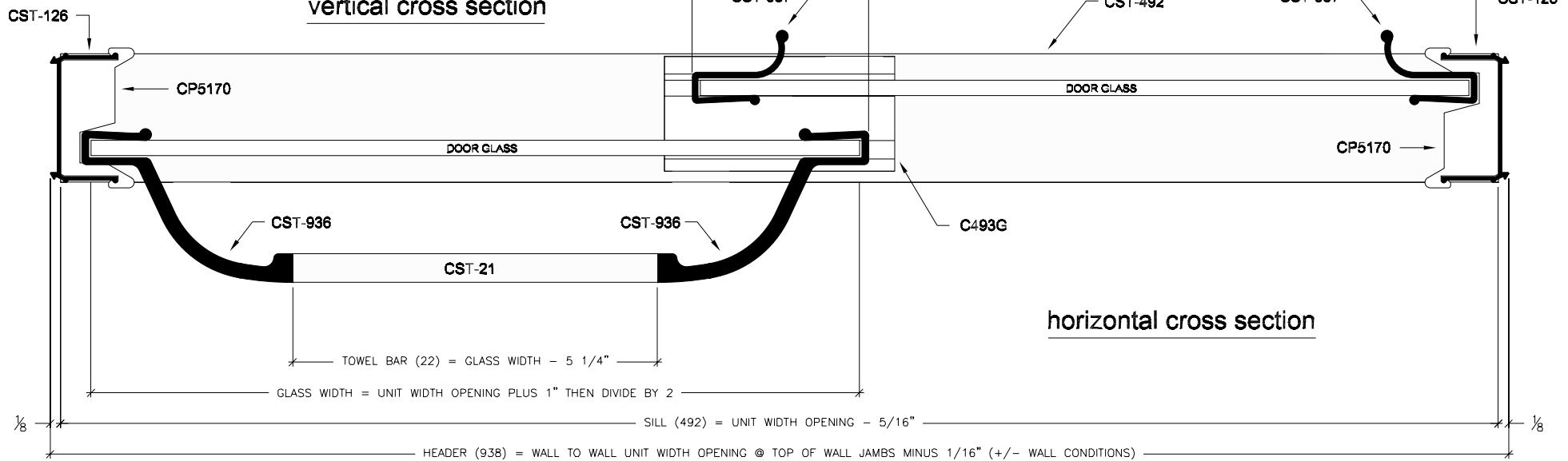
937B (2 pcs)
Door Pull



936B (2 pcs)
Towel Bar Bracket



vertical cross section



horizontal cross section

NOTES:

1. FORMULAS ARE BASED ON A MINIMUM WIDTH OPENING. WHEN MEASURING OPENING WIDTHS, ALWAYS CHECK FOR OUT OF PLUMB WALL CONDITIONS.
- *** 2. FORMULAS FOR GLASS WIDTHS SHOWN BELOW WILL YIELD A 2-5/16" OVERLAP. ANY DEVIATION IN GLASS WIDTHS WILL HAVE A PROPORTIONAL EFFECT ON THE GLASS OVERLAP.

Series Unit Configuration

PARAGON
B - SERIES

Frameless Bypass Door



Coastal Industries Inc.

FAX NO.
(904) 641-1697

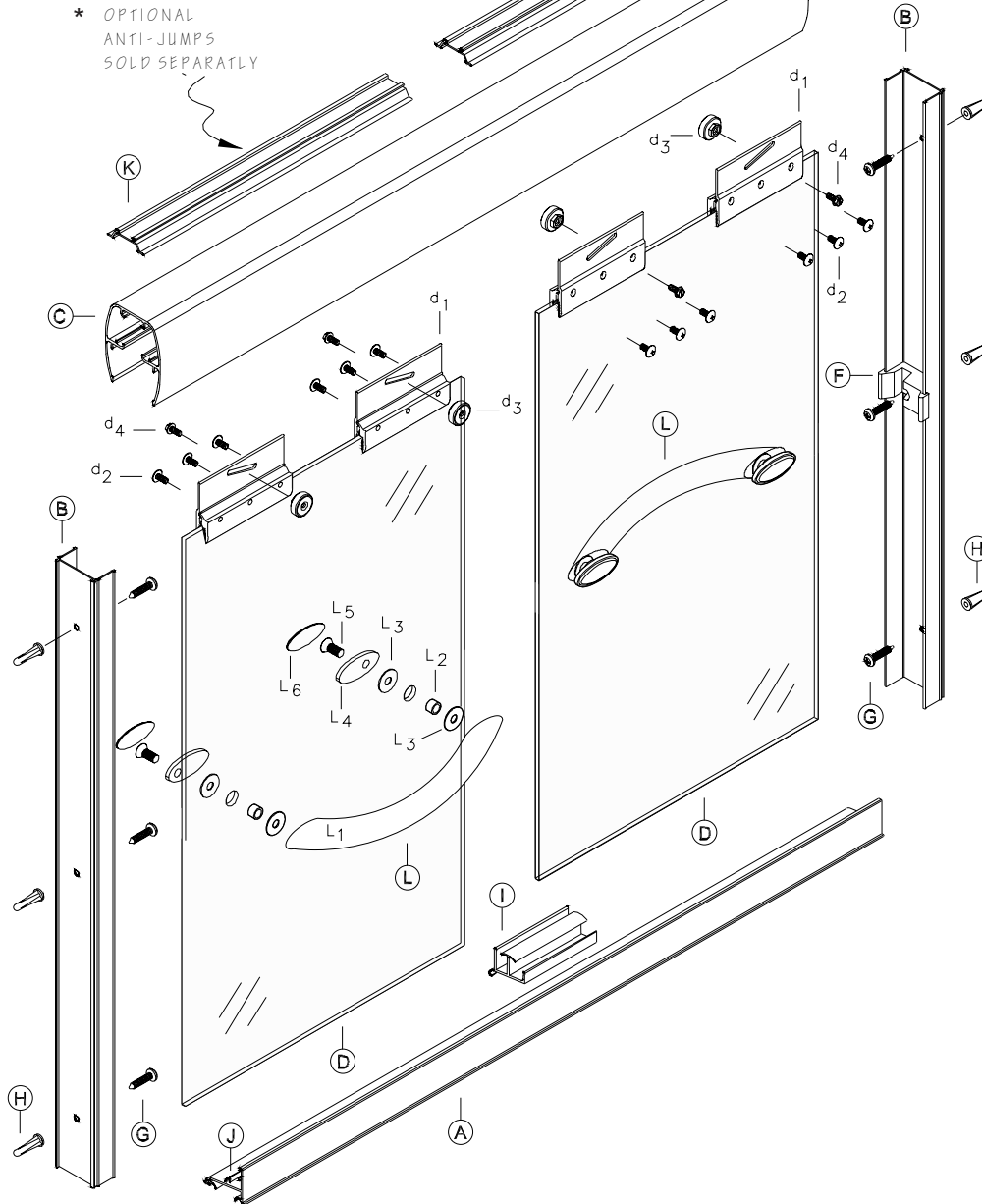
Coastal Industries Inc.

P.O BOX 16091
JACKSONVILLE, FLORIDA 32245

TELEPHONE NO.
(904) 642-3970

Paragon 1/4" Frameless

(exploded view)



KEY LETTER	PART NUMBER	DESCRIPTION	QTY	KEY LETTER	PART NUMBER	DESCRIPTION	QTY
A	492	SILL	1	G	834P	INSTALLATION SCREWS	6
B	126	WALL JAMB	1	H	1329	PLASTIC SCREW ANCHOR	6
C	938	HEADER	1	I	C493G	TRACK GUIDE	1
D	---	GLASS PANEL ASSEMBLY.....	2	J	C494B	SILL SEAL VINYL	1
d1	280 / 281	Hanger Bracket (installed).....	2	K	* 130	ANTI - JUMP (optional)	2
d2	1012BHP	Hanger Bracket Screws (installed)	6	L	T24	TOWEL BAR ASSEMBLY	2
d3	PN88	Nylon Roller (installed)	2	L1	---	Towel Bar	1
d4	832HEX	Roller Screws (installed)	2	L2	---	Plastic Bushing	2
d5	C186G	Vinyl, (for brackets, installed, not shown)...	2	L3	---	Plastic Washer	4
E	---	(not used)	--	L4	---	Back Plate	2
F	5170	JAMB BUMPER	2	L5	---	Towel Bar Screw	2
				L6	---	Back Plate Cover	2

1. Measure the base opening along center of shower curb as shown in figure 1, then trim Sill (A) to 3/16" less than measurement obtained.

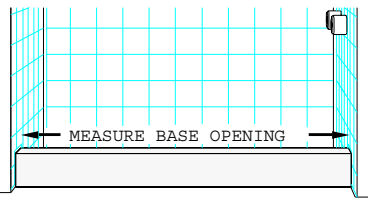


figure 1

2. Slide Vinyl Seal (J) into the Sill's receiver as shown in figure 2. Run the Vinyl the full length of the Sill, then trim any excess.

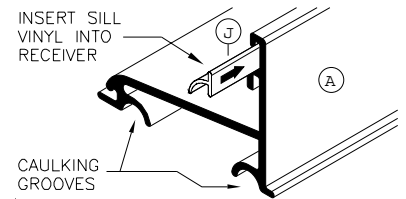


figure 2

3. To insure proper operation, Track Guide (I) must be centered on Sill (A) when installed. Located center of Sill. Apply small dab of caulking to underside of Track Guide, then snap Track Guide onto Sill as shown in figure 3.

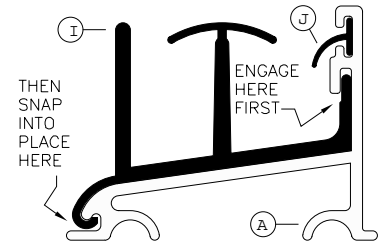


figure 3

4. Turn the Sill over and apply a bead of caulking the full length of the caulking grooves, see figure 2. With high lip toward exterior of enclosure, position Sill at center of shower curb. Temporarily tape Sill to shower curb to prevent movement.

5. Place Wall Jamb (B) on to ends of Sill (A) and up against shower walls as shown in figure 4. Plumb the Jamb, then pencil mark their installation holes locations on the shower walls (3 per jamb). Remove Wall Jamb. Using a 3/16" masonry bit, drill 1" deep installation holes in locations previously marked. Insert Plastic Screw Anchors (H) into holes.

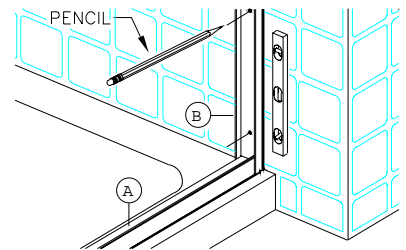


figure 4

6. Reposition Wall Jamb (B) as before. Using the top and bottom installation holes only . . . secure Jamb to walls using two(2) 834p Installation Screws (G). Do not secure Jamb at center at this time.

7. Measure the wall to wall opening at top of Wall Jamb and cut the Header (C) to 1/16" less than the measurement obtained. If model purchased comes with Anti - Jumps (K) . . . insert Anti - Jumps (K) into the Header's Anti -Jump receiver. Position and install the Header over the Wall Jamb.

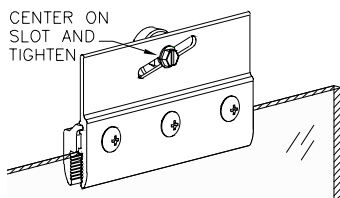


figure 5

Note:
If you are furnishing your own glass panel for this unit . . . proceed to step 8, now. If the glass panels came with the unit you purchased, then the bracket assemblies (d1 thru d5) in the parts table are already installed. Center your Nylon Rollers (d3) on the Hanger Brackets and tighten down on the Rollers Screws (d4) as shown in figure 5 and proceed to step 9, now.

8. Attach Hanger brackets as shown in exploded view - sheet 1. Begin by draping a Bracket Vinyl (d5) over the edge of the Glass Panel. Using three(3) Bracket Screws (d2), loosely assemble the two piece hanger bracket and positioned it over the Vinyl. Position the Hanger Bracket an inch from vertical edge of glass and tighten down the screws (allen wrench required). Next install the roller as shown and tighten down on screw. Repeat step for the remaining Hanger Brackets.

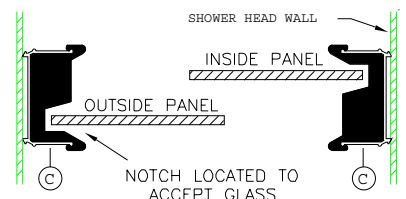


figure 6

9. Install the outside Glass Panel (D) by lifting the Panel up and into the Header (B). Lower the Panel into the Track Guide (I) and engage the Rollers (d3) with the roller track.

Slide outside Door Panel into Wall Jamb located on wall opposite of shower head. Check Panel to make sure that it is parallel to the Wall Jamb. If it is not, remove the Door Panel and adjust the rollers either up or down by loosening the Rollers Screws and sliding the Rollers. When satisfied with outside Door Panel alignment, proceed with inside Door Panel installation.

When satisfied, slide inside Door Panel into Wall Jamb located on **shower head wall** and check for alignment with Wall Jamb. Adjust Rollers as necessary.

10. Attach Panel Bumpers (F) to Wall Jamb using a 834P Installation Screw (G). Please note that notches on bumpers are positioned so as to accept glass insertion, see figure 6.

11. Before beginning Towel Bar installation . . . note that Towel Bars (L1) are attached on the same side as the Nylon Rollers (d3), as shown in the exploded view - sheet 1.

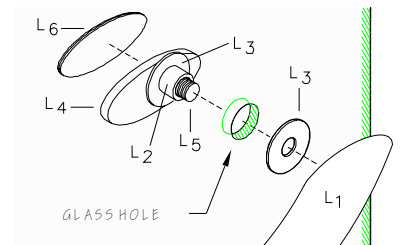


figure 7

Install Towel Bars (L). Slip a Back Plate (L4), a Plastic Washer (L3) and a Sleeve Bushing (L2) onto a Towel Bar Screw (L5) as shown in figure 7. Insert it into the glass hole as shown and attach one end of a the Towel Bar (L1) to it (do not forget plastic washer). Attach the other end of the Towel bar onto the Glass Panel. Tighten down on screws to secure. Cover the screws by placing a Back Plate Cover (L6) over the Back Plate (L5). Repeat step for the remaining Towel bar.

12. Run a bead of clear mildew resistant caulking down the full length of each Wall Jamb **outside** where the Jamb meet the Walls. Now run a bead **outside** where the Sill meets the curb. Follow caulking manufacturer's instructions before using shower (normally 24 hours). Installation is now complete.

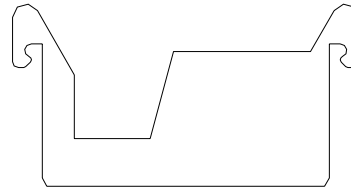
BAGGIE CODE NO. PBPFSB
Installation Hardware
(Paragon Frameless Bypass)



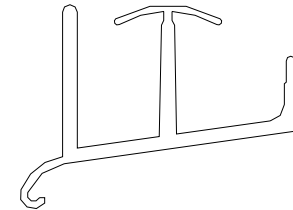
1329 (6 pcs)
Plastic Wall Anchors



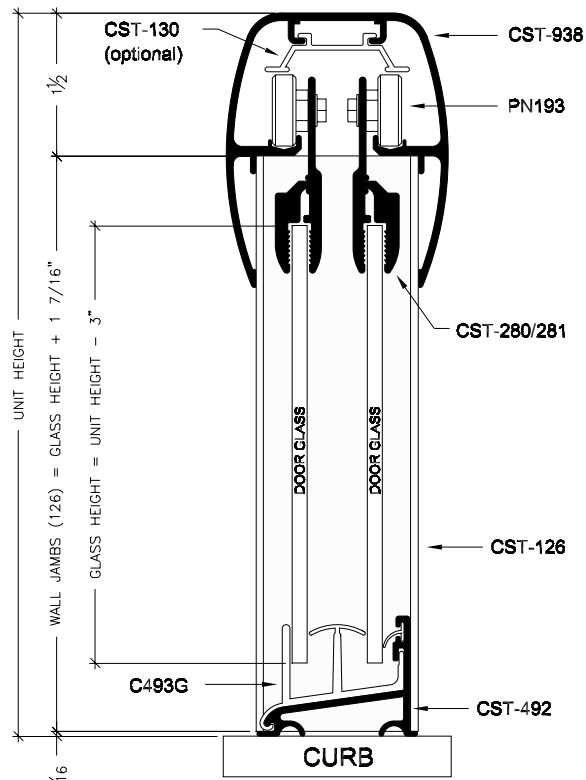
834P (6 pcs)
Wall Jamb Installation Screw
#8x3/4" Pan Head Screw



5170B (2 pcs)
Door Bumper / Guide



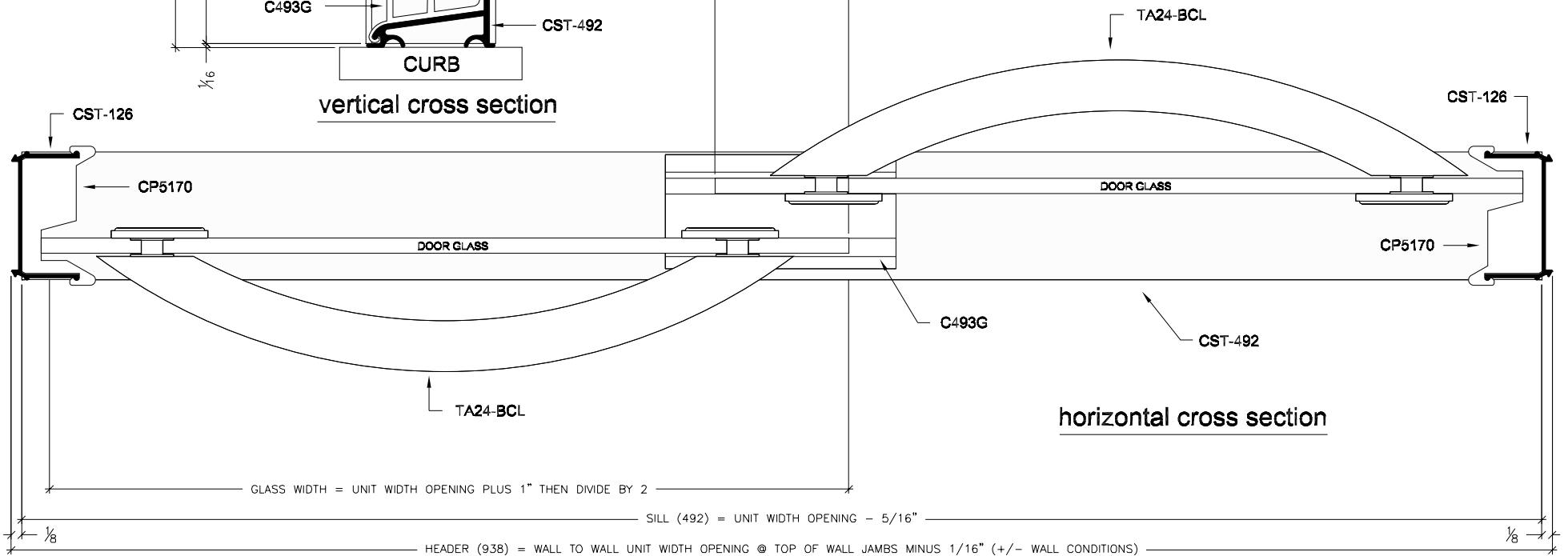
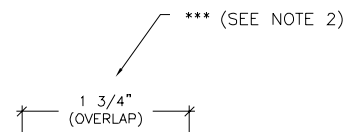
C493G (1 pcs)
Snap in Panel Guide



vertical cross section

NOTES:

1. FORMULAS ARE BASED ON A MINIMUM WIDTH OPENING. WHEN MEASURING OPENING WIDTHS, ALWAYS CHECK FOR OUT OF PLUMB WALL CONDITIONS.
- *** 2. FORMULAS FOR GLASS WIDTHS SHOWN WILL YIELD A 1-3/4" OVERLAP. ANY DEVIATION IN GLASS WIDTHS WILL HAVE A PROPORTIONAL EFFECT ON THE GLASS OVERLAP.



horizontal cross section

Series

Unit Configuration

PARAGON

1/4" Frameless Bypass Door



Coastal Industries Inc.

FAX NO.
(904) 641-1697

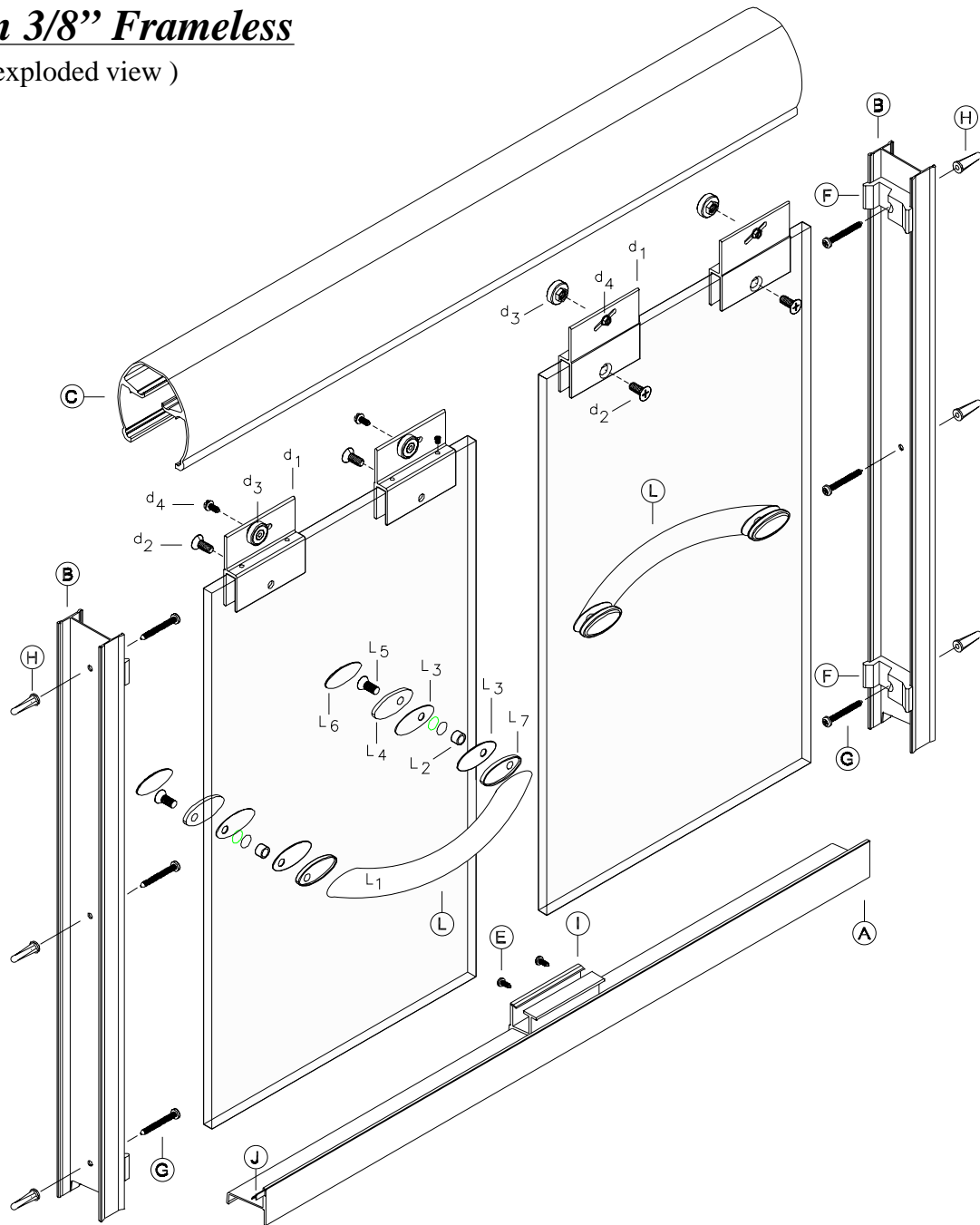
Coastal Industries Inc.

P.O BOX 16091
JACKSONVILLE, FLORIDA 32245

TELEPHONE NO.
(904) 642-3970

Paragon 3/8" Frameless

(exploded view)



KEY LETTER	PART NUMBER	DESCRIPTION	QTY	KEY LETTER	PART NUMBER	DESCRIPTION	QTY
A	651	SILL	1	G	8112	INSTALLATION SCREWS	6
B	643	WALL JAMB	1	H	1329	PLASTIC SCREW ANCHOR	6
C	650	HEADER	1	I	C375G	TRACK GUIDE	1
D	---	GLASS PANEL ASSEMBLY.....	2	J	C494B	SILL SEAL VINYL	1
d1	CP652C	Hanger Bracket	2	K	---	(designation not used)	
d2	---	1/4" Flat Head Phillips Screw	6	L	T24	TOWEL BAR ASSEMBLY	2
d3	PN3401	Nylon Roller	2	L1	---	Towel Bar	1
d4	832HEX	Roller Screws	2	L2	---	Plastic Bushing	2
d5	---	Nylon Sleeve, (not shown)	2	L3	---	Plastic Spacer	4
d6	8321875SS	Nylon Set Screws (not shown)	2	L4	---	Back Plate	2
E	638PHPT	#6 x 3/8" Self Drilling Phillips Screw	2	L5	---	Towel Bar Screw	2
F	5172B	JAMB BUMPER	4	L6	---	Back Plate Cover	2
				L7	---	Collar	2

1. Measure the base opening along center of shower curb as shown in figure 1, then trim Sill (A) to measurement obtained.

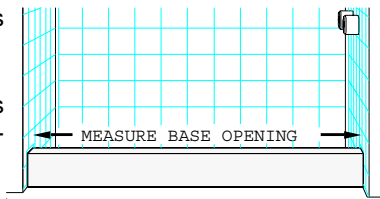


figure 1

2. Trim the Vinyl Seal (J) to an inch and one eighth (1-1/8") less than the base opening. Slide Vinyl Seal (J) into the Sill's receiver as shown in figure 2 and center it on the Sill.

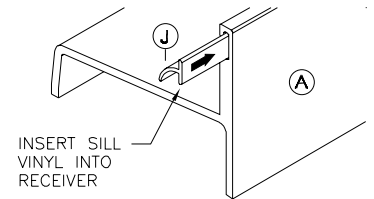


figure 2

3. With high lip toward exterior of enclosure, position Sill at center of shower curb. Temporarily tape Sill to shower curb to prevent movement.

4. Place Wall Jambs (B) on to ends of Sill (A) and up against shower walls as shown in figure 3. Plumb the Jambs, then pencil mark their installation holes locations on the shower walls (3 per jamb). Remove Wall Jambs. Using a 3/16" glass / tile drill bit, drill 1" deep installation holes in locations previously marked. Insert Plastic Screw Anchors (H) into holes.

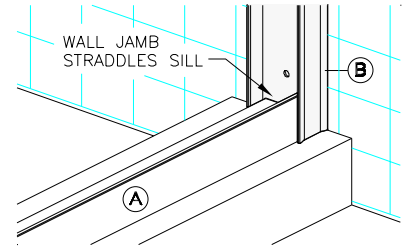


figure 3

5. Reposition Wall Jambs (B) as before and secure Jambs to shower walls using three (3) 8112 Installation Screws (G). Make sure to attach Panel Bumpers (F) to top and bottom installations holes as shown in exploded view - sheet 1. Please note that notches on bumpers are positioned so as to accept glass insertion, as shown in figure 4.

6. Measure the wall to wall opening at top of Wall Jambs and cut the Header (C) to the measurement obtained. Position and install the Header over the Wall Jambs.

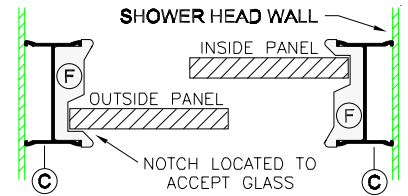


figure 4

7. Attach Hanger Brackets as shown in exploded view - sheet 1 and figure 5 this sheet. Begin by inserting a Nylon Sleeve (d5) into the glass panel holes.

Next, screw in two Nylon Set Screws (d6) onto the Hanger Bracket (d1) as shown in figure 5 (the purpose of nylon set screws is for leveling adjustment of hanger bracket so it will not "see saw" on glass) adjust as required.

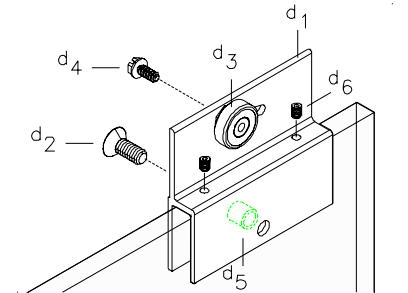


figure 5

Position Hanger Bracket onto the Glass Panel and secure to glass using a 1/4" Phillips Flathead Screw (d2). Finally install the Roller (d3) as shown and secure with a Hex Screw (d4). Repeat step for the remaining Hanger Brackets.

8. Install the outside Glass Panel (D) by lifting the Panel up and into the Header (B). Lower the Panel into the Track Guide (I) and engage the Rollers (d3) with the roller track.

Slide outside Door Panel into Wall Jamb located on wall opposite of shower head. Check Panel to make sure that it is parallel to the Wall Jamb. If it is not, remove the Door Panel and adjust the rollers either up or down by loosening the Rollers Screws and sliding the Rollers. When satisfied with outside Door Panel alignment, proceed with inside Door Panel installation.

When satisfied, slide inside Door Panel into Wall Jamb located on **shower head wall** and check for alignment with Wall Jamb. Adjust Rollers as necessary.

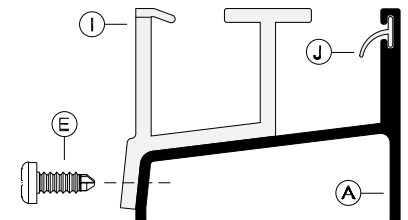


figure 6

9. To insure proper operation, Track Guide (I) must be centered on Sill (A) when installed. Locate center of Sill, position the Track Guide on the Sill and using holes on Guide as templates, secure Guide to the Sill using two 638phpt Self Drilling Screws (E) as shown in figure 6.

10. Before beginning Towel Bar installation . . . note that Towel Bars (L1) are attached on the same side as the Nylon Rollers (d3), as shown in the exploded view - sheet 1.

Install Towel Bars (L), see exploded view - sheet 1 and figure 7 on this page. Slip a Back Plate (L4), a Plastic Spacer (L3) and a Sleeve Bushing (L2) onto a Towel Bar Screw (L5) as shown in figure 7. Insert it into the glass hole as shown and attach one end of a the Towel Bar (L1) to it (do not forget Plastic Spacer {L3} and Collar {L7}). Attach the other end of the Towel Bar onto the Glass Panel. Tighten down on screws to secure. Cover the screws by placing a Back Plate Cover (L6) over the Back Plate (L4). Repeat step for the remaining Towel Bar.

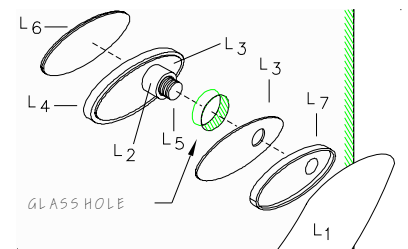
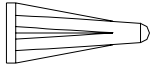


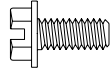
figure 7

11. Run a bead of clear mildew resistant caulking down the full length of each Wall Jamb **outside** where the Jambs meet the Walls. Now run a bead **outside** where the Sill meets the curb. Finally, run a bead along the crevice where the Wall Jambs straddle the Sill, see figure 3. Follow caulking manufacturer's instructions before using shower (normally 24 hours). Installation is now complete.

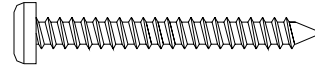
BAGGIE CODE NO. 3/8F
Installation Hardware
(Paragon 3/8" Frameless Bypass)



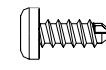
1329 (6 pcs)
Plastic Wall Anchors



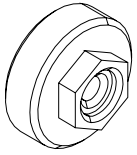
832HEX (4 pcs)
Roller Screw
#8x3/8" Hex Head Screw



8112 (6 pcs)
Wall Jamb Installation Screw
#8x1-1/2" Pan Head Screw



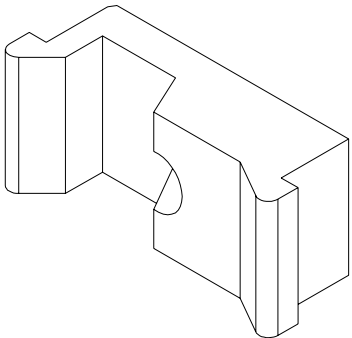
638PHPT (2 pcs)
Track Guide Screws
#6x3/8" Pan Head Screw



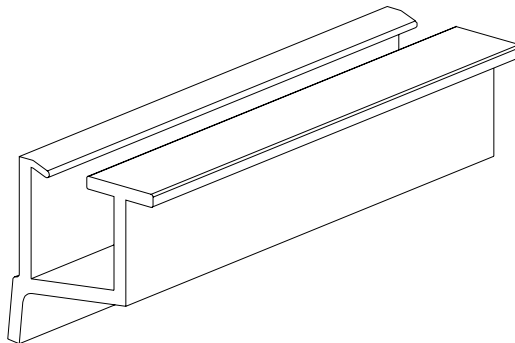
PN3401 (4 pcs)
Heavy Duty Roller



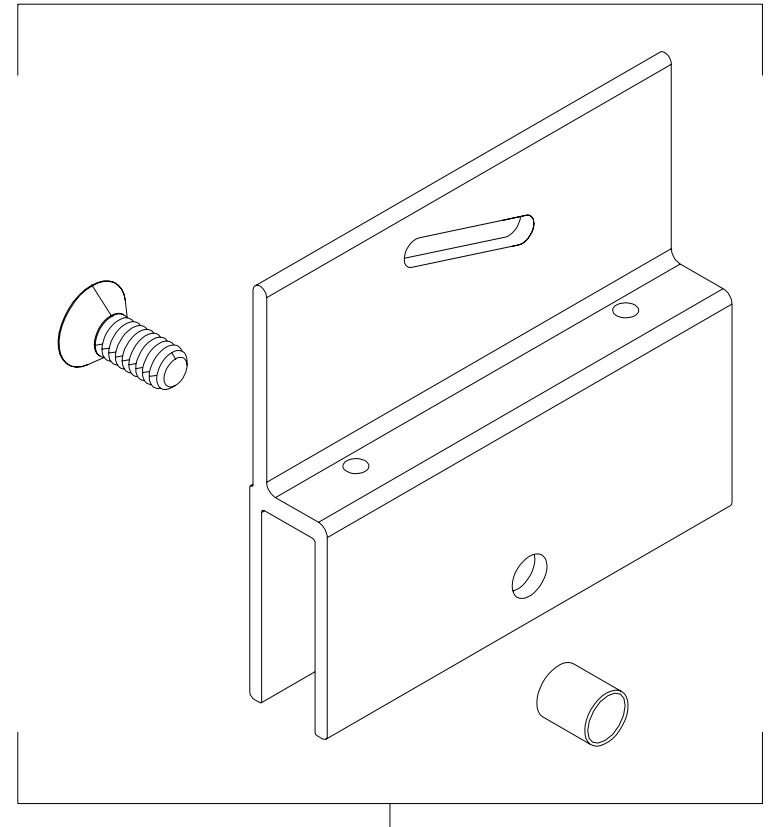
8321875SS (8 pcs)
Nylon Set Screws



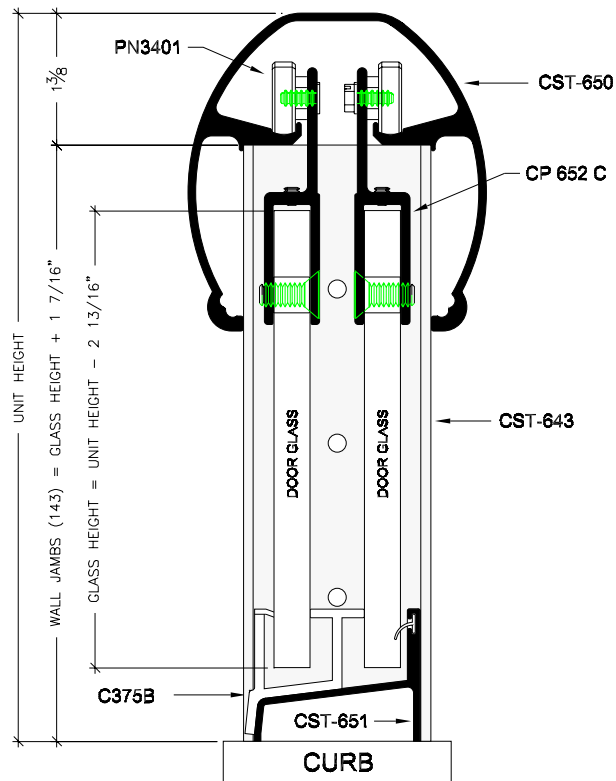
5172B (4 pcs)
Jamb Bumper



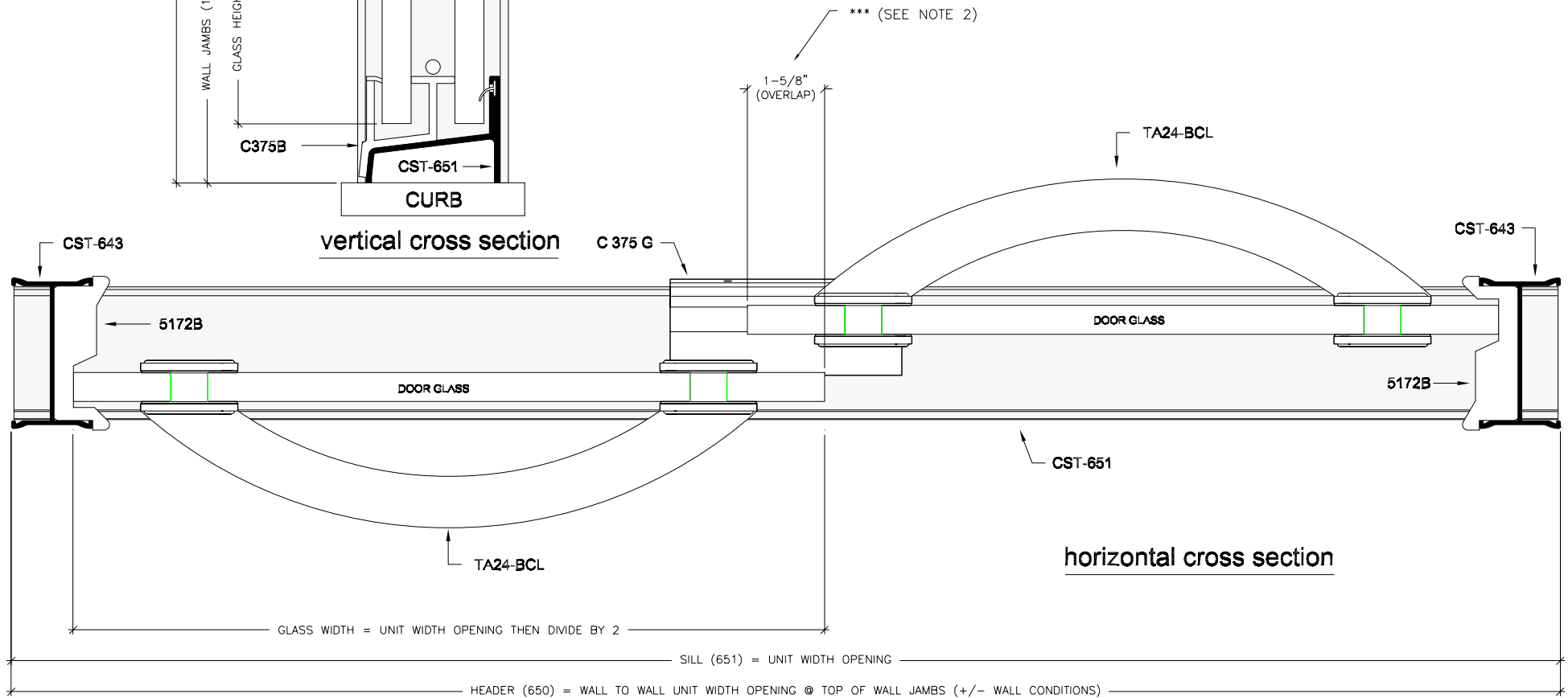
C 375 B (1 pc)
3" Track Guide



CP652C (4 pcs)
Hanger Bracket Assembly
3 pcs per assembly - hanger bracket, screw and spacer



vertical cross section



horizontal cross section

NOTES:

1. FORMULAS ARE BASED ON A MAXIMUM WIDTH OPENING. WHEN MEASURING OPENING WIDTHS, ALWAYS CHECK FOR OUT OF PLUMB WALL CONDITIONS.
- *** 2. FORMULAS FOR GLASS WIDTHS SHOWN WILL YIELD A 1-5/8" OVERLAP. ANY DEVIATION IN GLASS WIDTHS WILL HAVE A PROPORTIONAL EFFECT ON THE GLASS OVERLAP.

Series

Unit Configuration

PARAGON

3/8" Frameless Bypass Door



Coastal Industries Inc.

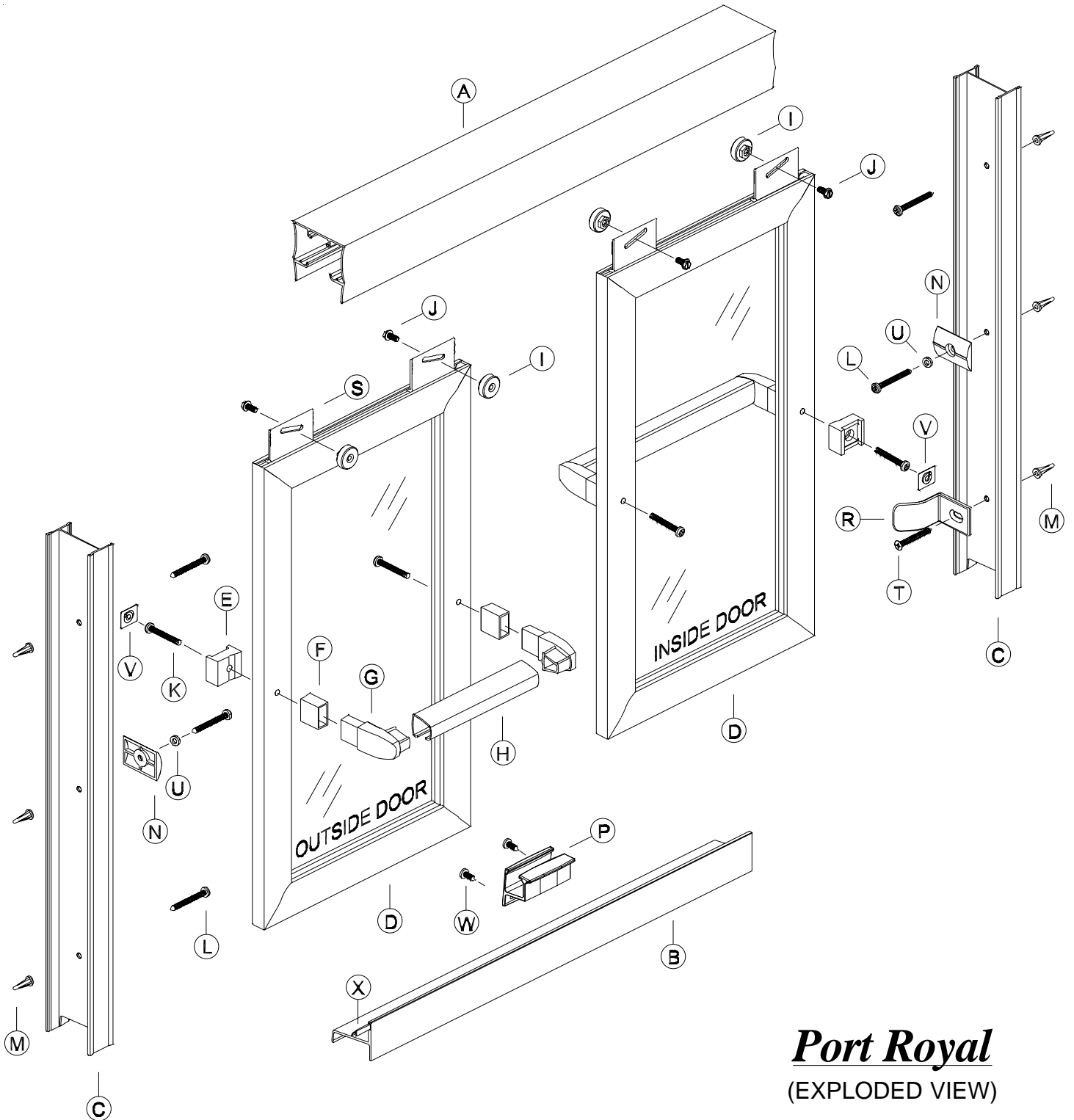
Coastal Industries Inc.

FAX NO.
(904) 641-1697

P.O BOX 16091
JACKSONVILLE FLORIDA 32245

TELEPHONE NO.
(904) 642-3970

Port Royal INSTALLATION INSTRUCTIONS



Port Royal
(EXPLODED VIEW)

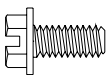
PARTS LIST

<u>KEY</u> <u>LETTER</u>	<u>PART</u> <u>NUMBER</u>	<u>DESCRIPTION</u>	<u>QUANTITY</u>
A	62	HEADER	1
B	651	SILL	1
C	643	WALL JAMB	2
D	---	DOOR PANEL ASSEMBLY	2
E	8156	FINGER PULL, TOWEL BAR	2
F	8155B	SLEEVE, TOWEL BAR BRKT	4
G	8154	TOWEL BAR BRACKETS	4
H	69	TOWEL BAR	2
I	PN193	ROLLER	4
J	832HEX	ROLLER SCREWS	4
K	832114	TOWEL BAR SCREW	4
L	8112	INSTALLATION SCREWS	5
M	1329	PLASTIC SCREW ANCHOR	6
N	5169	BUMPER	2
P	CP1111	TRACK GUIDE	1
R	CP110	JAMB GUIDE	1
S	38	HANGER BRACKET (INSTALLED)	4
T	82F	JAMB GUIDE SCREW	1
U	CP104TW	BUMPER WASHER	2
V	8157	CI LOGO (STICKER)	2
W	638PHPT	6x38" SELF DRILLING SCREW	2
X	C494B	SILL SEAL VINYL	1

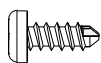
TOOLS NEEDED

HACKSAW	STANDARD SCREW DRIVER OR 1/4" WRENCH
ELECTRIC DRILL	LEVEL
3/16" MASONRY DRILL BIT	HAMMER
PENCIL / FELT TIP PEN	CENTER PUNCH
SAFETY GLASSES	PHILLIPS SCREW DRIVER
MEASURING TAPE	CLEAR CAULKING OR SEALANT (MILDEW RESISTANT)
MASKING TAPE	

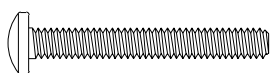
Unit Installation Screws (shown full size for reference)



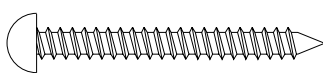
(J)_832HEX ROLLER SCREW



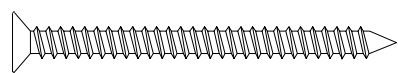
(W)_638PHT TRACK GUIDE SCREW



(K)_832114 TOWEL BAR SCREW



(L)_8112 INSTALLATION SCREW

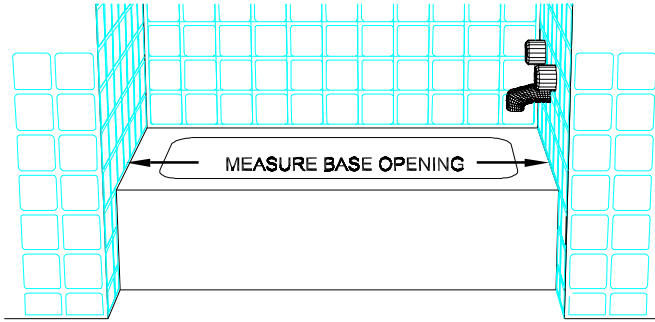


(T)_82F JAMB GUIDE SCREW

BEFORE STARTING

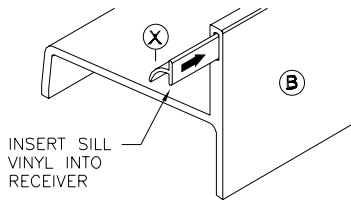
Before starting unit installation, Please check the box contents against the parts list. *Make sure all material is accounted for.*

STEP 1 Measure base opening & cut Sill



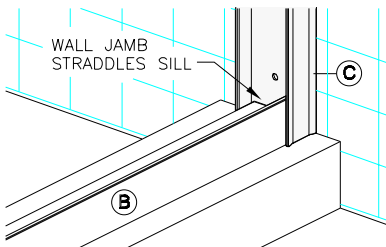
Measure the base opening along center of shower curb as shown in figure 1, then trim Sill (B) to measurement obtained.

STEP 2 Trim Insert Vinyl Seal into Sill



Trim the Vinyl Seal (X) to an inch and one eighth (1-1/8") less than the base opening. Slide Vinyl Seal into the Sill's receiver as shown in figure 2 and center it on the Sill.

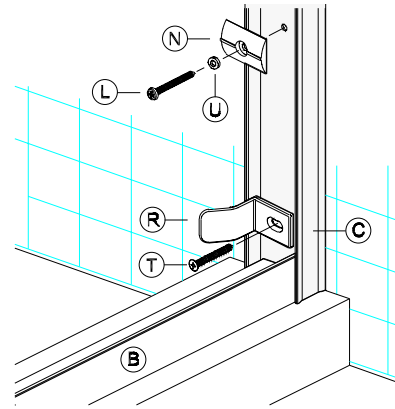
STEP 3 Position Sill and Wall Jamb



With high lip toward exterior of enclosure, position Sill at center of shower curb. Temporarily tape Sill to shower curb to prevent movement.

Place Wall Jamb (C) on to ends of Sill (B) and up against shower walls as shown in figure 3. Push the notched Wall Jamb down over the Sill, making sure the Jamb is securely seated onto the Sill. Plumb the Jamb, then pencil mark their installation hole locations on the shower walls (3 per jamb). Remove Wall Jamb. Using a 3/16" glass / tile drill bit, drill 1" deep installation holes in locations previously marked. Insert Plastic Screw Anchors (M) into holes.

STEP 4 Secure Wall Jamb

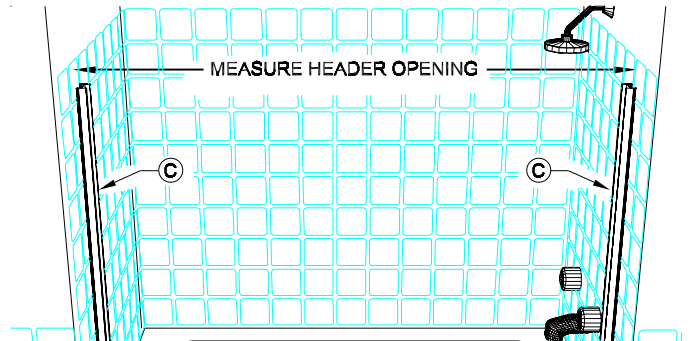


Reposition Wall Jamb as before and secure to shower walls using five (5) #8 x 1-1/2" Installation Screws (L), see *exploded view - sheet 1*.

Insure that both Jamb Bumpers (N) and Bumper Washers (U) are secured to the Wall Jamb (C) using the center installation screw, see *figure above and exploded view - sheet 1*.

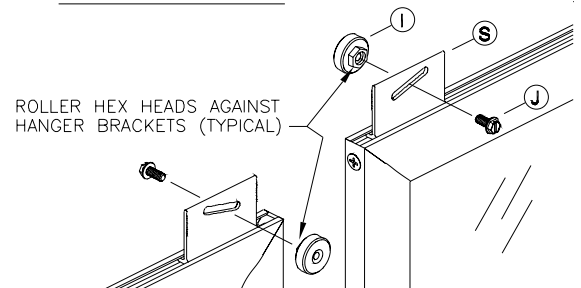
Use the #8 x 2" Flat Head Screw (T) to secure Jamb Guide (R) to the lower installation hole of the Wall Jamb that is attached to the shower head wall.

STEP 5 Measure Header opening & cut Header



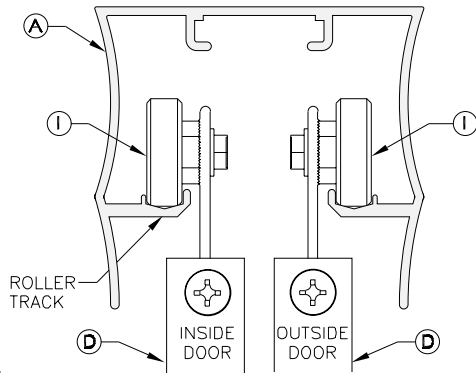
Measure the wall to wall opening at the top of the Wall Jamb (C) and cut the Header (A) to 1/16" less than the measurement obtained. Position Header (A) on top of the Wall Jamb (C) and leave it there as we make preparations for panel installation.

STEP 6 Roller installation



Using the exploded view as a guide, attach Rollers (I) to Hanger Brackets (S) using an #832 hex head screw (J). Note: protruding hex head on roller should always face hanger bracket.

STEP 7 Door Panel Installation



Take what will be the inside Panel and stand it inside the shower enclosure (make sure the Rollers (I) are facing toward the inside of the enclosure as shown in exploded view - sheet 1). Leave it there temporarily.

Install the outside Door Panel (D) by Lifting the Panel up and into the Header (A). Lower the Panel and engage the Rollers (I) with the roller track.

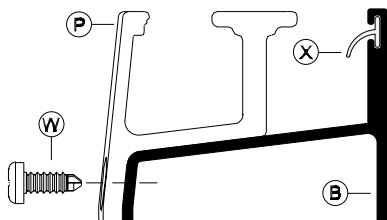
Slide outside Door Panel into Wall Jamb located on wall opposite of shower head.

Check Panel to make sure that it is parallel to the Wall Jamb. If it is not, remove the Door Panel and adjust the rollers either up or down by loosening the Roller Screws and sliding the Rollers.

When satisfied with outside Door Panel alignment, proceed with inside Door Panel installation.

When installed, slide the inside Door Panel into the Wall Jamb located on **shower head wall** and check for alignment with Wall

STEP 8 Screw on Track Guide



To insure proper operation, Track Guide (P) must be centered on Sill (B) when installed.

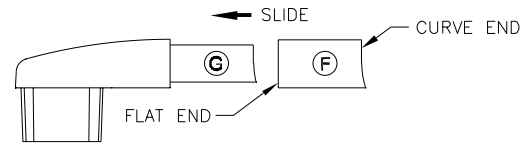
Open the shower door enclosure so that both Door Panels are up against the same Wall Jamb.

Locate the center of Sill and position the Track Guide on the Sill, making sure that the Door Panels are riding in their respective tracks.

Using the holes on Track Guide as templates, secure Guide to the Sill using two 638phpt Self Drilling Screws (W) as shown in figure above.

When finished, closed Door Panels as before (inside panel toward shower head wall, outside panel against opposite wall).

STEP 9 Towel Bar Installation



Start by sliding a Sleeve (F) . . . flat end first . . . over each of the four Towel Bar Brackets (G) as shown in figure above.

If not already closed, close Door Panels (inside Panel against shower head wall and outside Panel against opposite wall).

As shown in figures 9A & 9b below, begin by installing inner Brackets first and securing Brackets with a #832 x 1-1/4 Towel Bar Screw (K).

Now finish the Towel Bar installation for each Door Panel as shown in exploded view - sheet 1 and secure each Bracket with a #832 x 1-1/4 Towel Bar Screw (K). **Do not** forget the Finger Pulls (E). Use figures below as guides.

Finish Towel Bar installation by peeling the back off the metallic CI logo (V) and installing it over the screw head on the Finger Pulls (E).

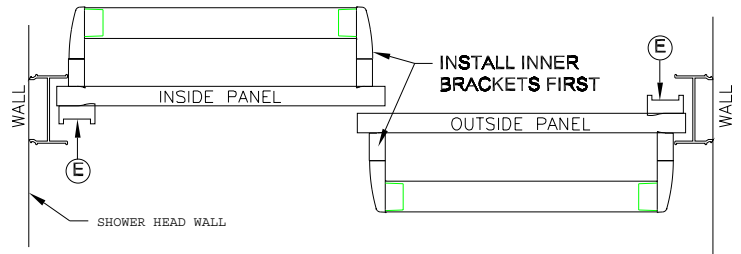


FIGURE 9A
(SHOWER HEAD ON LEFT)

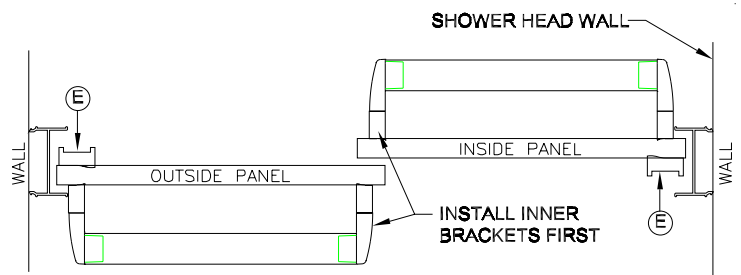


FIGURE 9B
(SHOWER HEAD ON RIGHT)

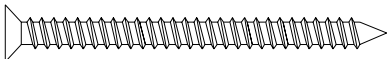
STEP 10 Leak Proof Installation

To insure a leak proof installation . . . Run a bead of clear mildew resistant caulking down the full length of each Wall Jamb, **outside** where the Wall Jamb meet the walls. Now run a bead inside where the Wall Jamb straddles the Sill. Follow caulking manufacturer's instructions before using shower. Installation is now complete.

BAGGIE CODE NO. 700G71, 700W71, 700_71
Installation Hardware
(Port Royal Bypass)



1329 (6 pcs)
Plastic Wall Anchors



82F (1 pc)
Panel Guide Screw
#8x2" Flat Head Screw



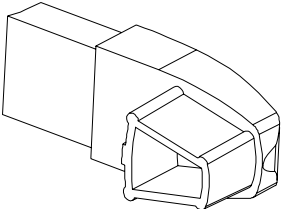
8112 (5 pcs)
Wall Jamb Installation Screw
#8x1-1/2" Pan Head Screw



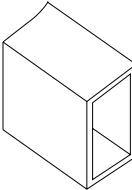
832114 (4 pcs)
Towel Bar Bracket Screw
#8x1-1/4" Pan Head Screw
used w/ Pull



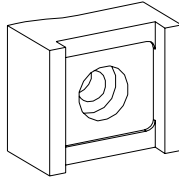
638PHPT (2 pcs)
Door Guide Screw
#6x3/8" Pan Head Screw



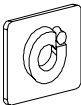
8154A (4 pcs)
Acrylic Towel Bar Brackets



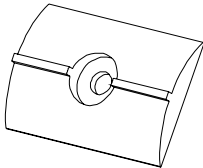
8155C (4 pcs)
Towel Bar Bracket Sleeve (brite)



8156 (2 pcs)
Anti Bypass Pull



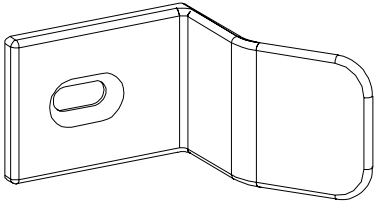
8157 (2 pcs)
CI Logo Label



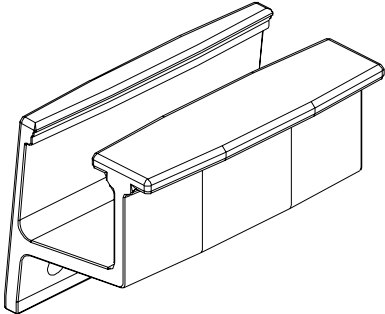
5169B (2 pcs)
BUMPER



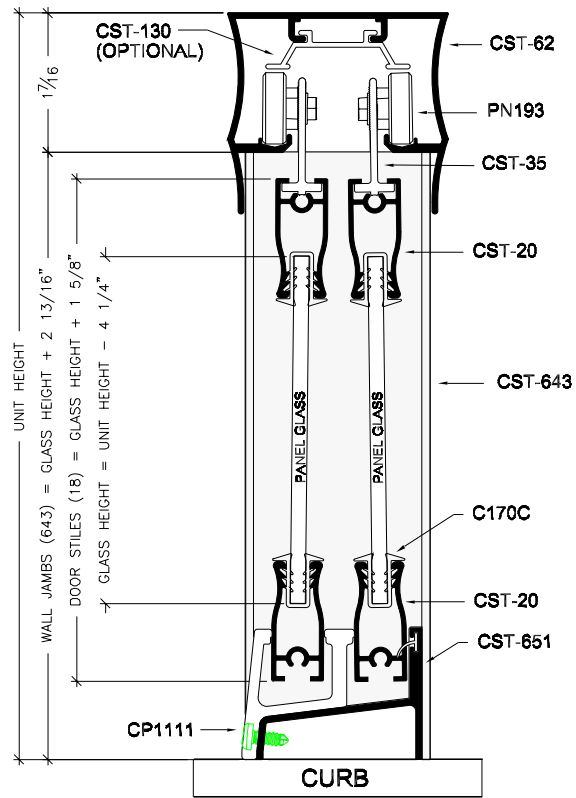
CP104TW (2 pcs)
Bumper Washer



CP110A (1 pc)
Jamb Guide

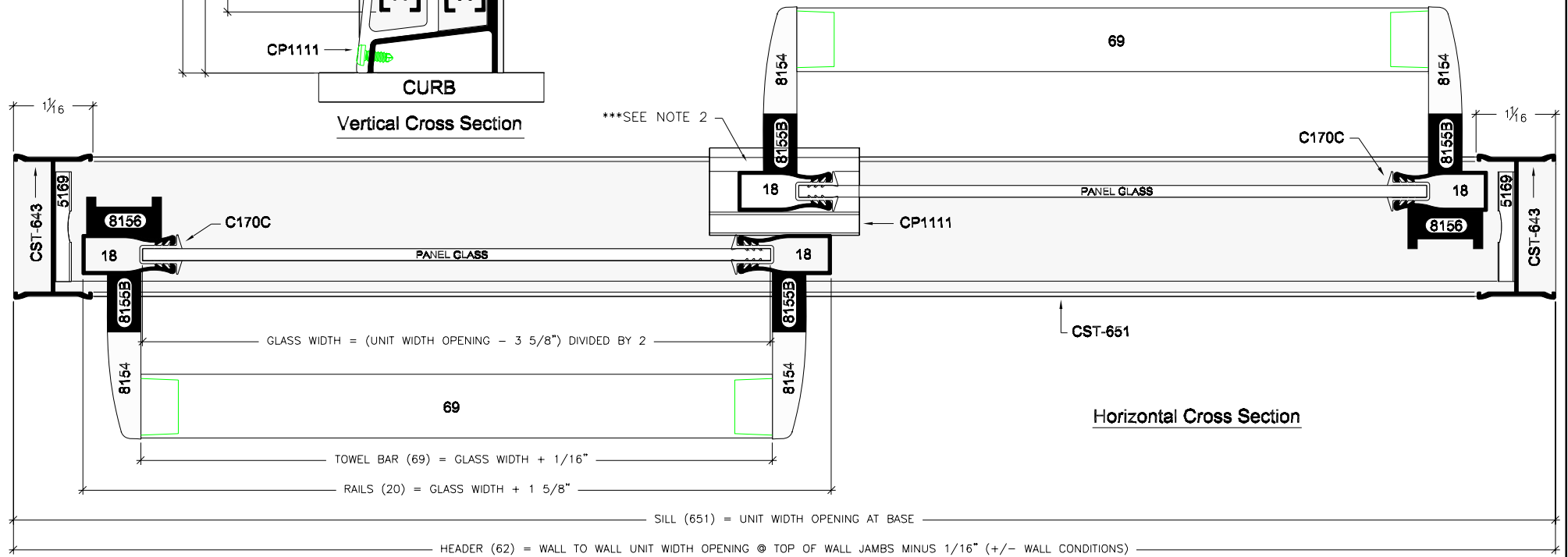


CP1111 (1 pc)
Door Guide



Vertical Cross Section

***SEE NOTE 2



Horizontal Cross Section

NOTES:

1. FORMULAS ARE BASED ON A MINIMUM WIDTH OPENING. WHEN MEASURING OPENING WIDTHS, ALWAYS CHECK FOR OUT OF PLUMB WALL CONDITIONS.
- *** 2. FORMULAS FOR GLASS WIDTHS SHOWN WILL YIELD A "PERFECT OVERLAP". THE TERM DESCRIBES THE OVERLAPPING CONDITION OF THE TWO PANELS WHEN CLOSED (PANEL STILES ARE ALIGNED WHEN LOOKED AT STRAIGHT ON).

Series

Unit Configuration

PORT ROYAL

Framed Bypass Door



Coastal Industries Inc.

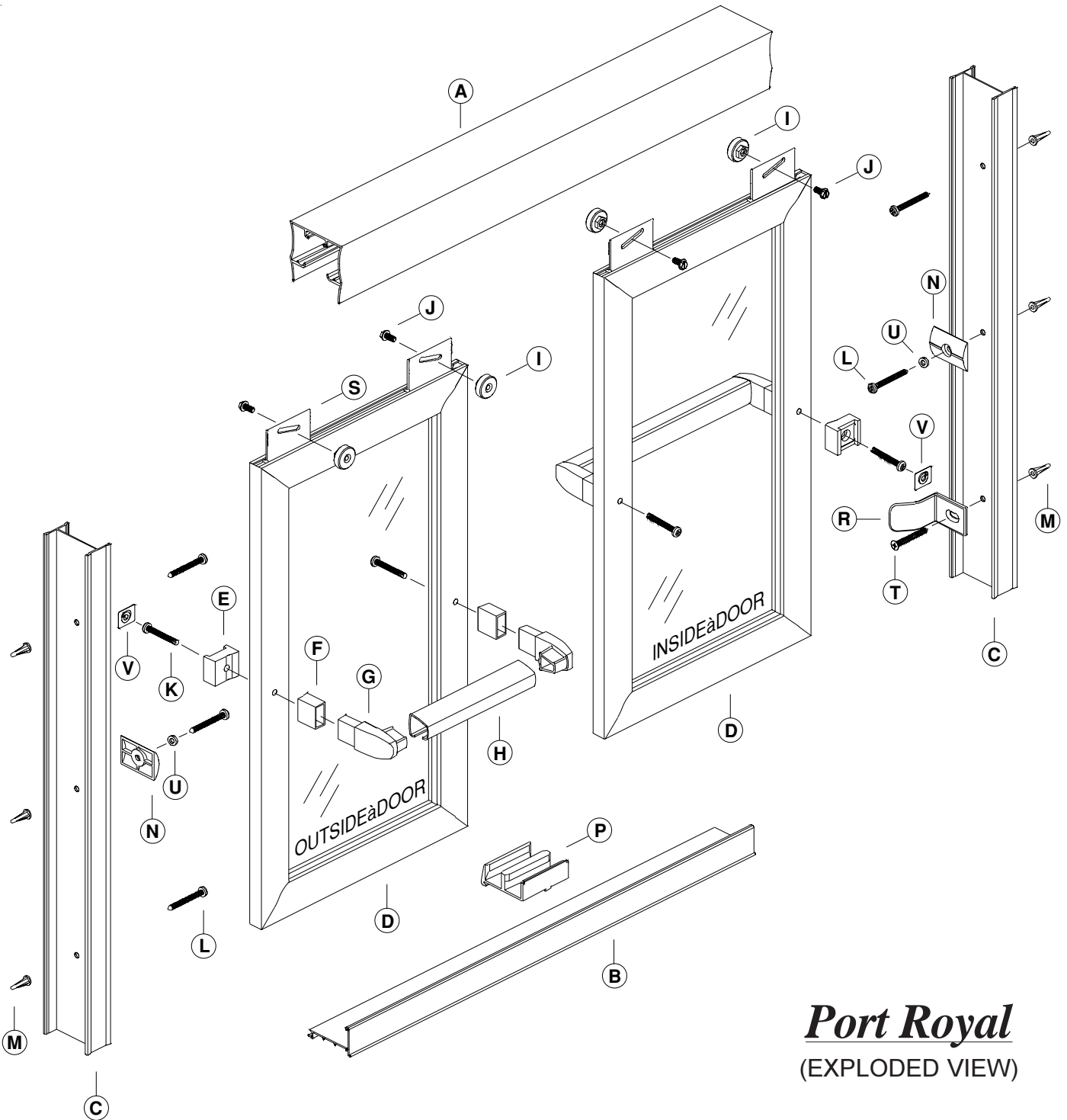
Coastal Industries Inc.

FAX NO.
(904) 641-1697

P.O BOX 16091
JACKSONVILLE FLORIDA 32246

TELEPHONE NO.
(904) 642-3970

Port Royal INSTALLATION INSTRUCTIONS



Port Royal
(EXPLODED VIEW)

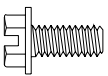
PARTS LIST

<u>KEY</u>	<u>PART</u>		
<u>LETTER</u>	<u>NUMBER</u>	<u>DESCRIPTION</u>	<u>QUANTITY</u>
A	62	HEADER	1
B	630	SILL	1
C	643	WALL JAMB	2
D	---	DOOR PANEL ASSEMBLY	2
E	8156	FINGER PULL, TOWEL BAR	2
F	8155B	SLEEVE, TOWEL BAR BRKT	4
G	8154	TOWEL BAR BRACKETS	4
H	69	TOWEL BAR	2
I	PN193	ROLLER	4
J	832HEX	ROLLER SCREWS	4
K	832114	TOWEL BAR SCREW	4
L	8112	INSTALLATION SCREWS	5
M	1329	PLASTIC SCREW ANCHOR	6
N	5169	BUMPER	2
P	CP1110	TRACK GUIDE	1
R	CP110	JAMB GUIDE	1
S	38	HANGER BRACKET (INSTALLED)	4
T	82F	JAMB GUIDE SCREW	1
U	CP104TW	BUMPER WASHER	2
V	8157	CI LOGO (STICKER)	2

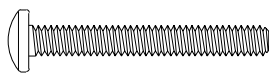
TOOLS NEEDED

HACKSAW	STANDARD SCREW DRIVER OR 1/4" WRENCH
ELECTRIC DRILL	LEVEL
3/16" MASONRY DRILL BIT	HAMMER
PENCIL / FELT TIP PEN	CENTER PUNCH
SAFETY GLASSES	PHILLIPS SCREW DRIVER
MEASURING TAPE	CLEAR CAULKING OR SEALANT (MILDEW RESISTANT)
MASKING TAPE	

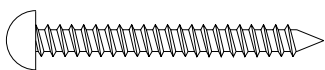
Unit Installation Screws (shown full size for reference)



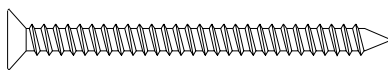
(J)_832HEX ROLLER SCREW



(K)_832114 TOWEL BAR SCREW



(L)_8112 INSTALLATION SCREW

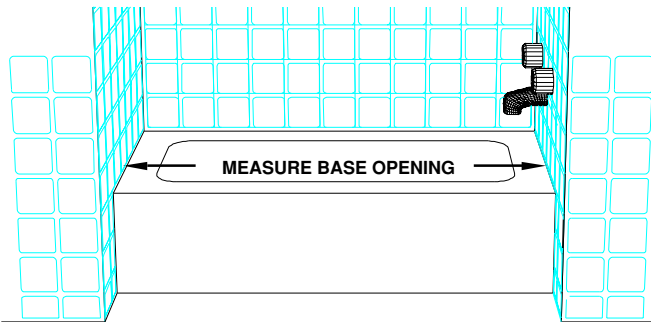


(T)_82F JAMB GUIDE SCREW

BEFORE STARTING

Before starting unit installation, Please check the box contents against the parts list. *Make sure all material is accounted for.*

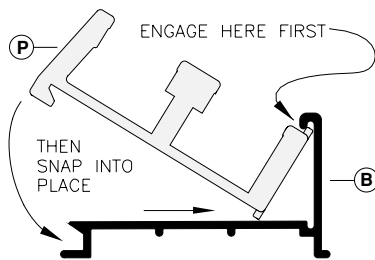
STEP 1 Measure base opening & cut Sill



Measure the base opening along the center of the shower curb as shown in step 1. Using a hacksaw . . . cut the Sill (B) to 1-3/16" less than the base opening. With high lip to the exterior, position Sill (B) on the shower curb . . . insuring that it is centered left to right and front to back. When satisfied that Sill (B) is properly centered . . . tape Sill to curb and pencil mark it's position. Check to see that Sill has been cut to the proper length by temporarily placing Wall Jambes at either end of Sill (B) (as shown in step 4) and checking for proper fit. Remove Sill from curb.

STEP 2

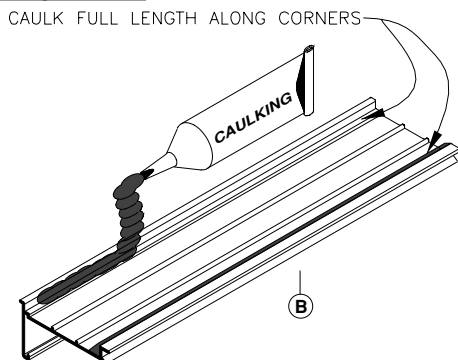
Snap on Track Guide



For proper operation, Track Guide (P) must be centered on Sill (B). Measure the length of Sill (B) and pencil mark the center. Now center the Track Guide (P) on the center mark and snap into place as shown in figure above.

STEP 3

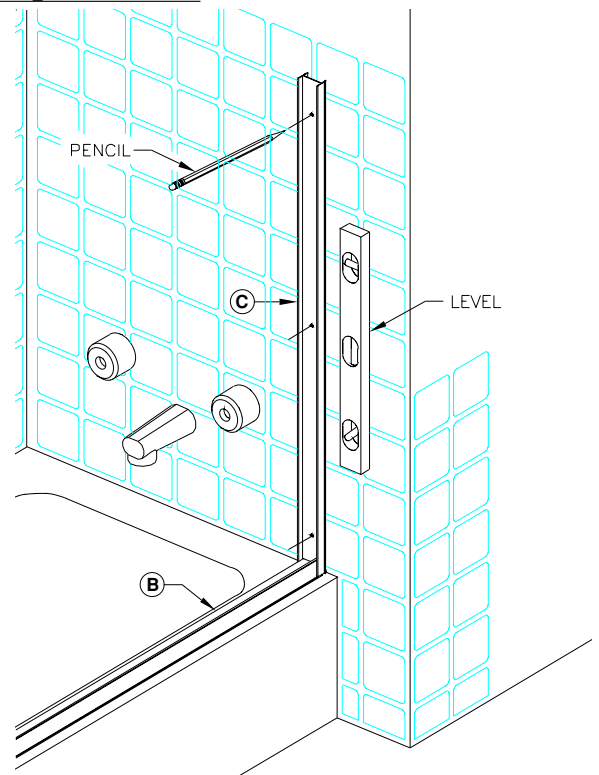
Caulk Sill & reposition



Turn Sill over and apply a bead of caulking the full length of the Sill as shown in figure. Apply enough to slightly overfill both corners. Reposition Sill on shower curb in the exact location previously pencil marked in step 1. *At this time the sill may be re-taped to the shower curb to prevent drastic movement while installing the wall jambes.*

STEP 4

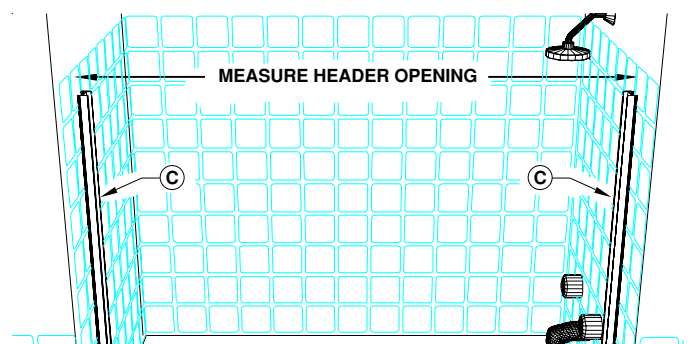
Installing Wall Jambes



Position Wall Jambes (C) onto ends of Sill (B) and up against shower walls. Use a level to plumb the Wall Jambes (C), then make a pencil mark on the shower walls thru each of the six (6) installation holes (*three per jamb*). Remove Wall Jambes (C) and lightly center punch installation hole locations. Drill 1" deep installation holes using a 3/16" masonry bit and Insert Plastic Screw Anchors (M). Reposition Wall Jambes as before and secure to shower walls using five (5) #8 x 1-1/2" Installation Screws (L). Insure that both Jamb Bumpers (N) and Bumper Washers (U) are secured to the Wall Jambes (C) using the center installation screw (*see exploded view*). Use the #8 x 2" Flat Head Screw (T) to secure Jamb Guide (R) to lower installation hole of Wall Jamb attached to shower head wall.

STEP 5

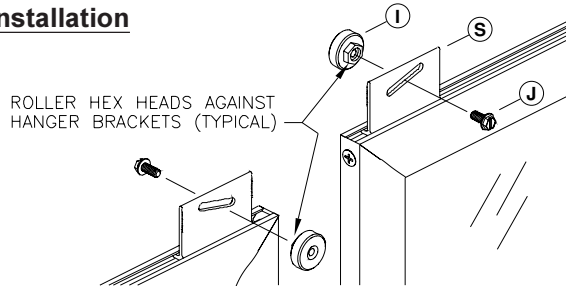
Measure Header opening & cut Header



Measure the wall to wall opening at the top of the Wall Jambes (C) and cut the Header (A) to 1/16" less than the measurement obtained. Position Header (A) on top of the Wall Jambes (C) and leave it there as we make preparations for panel installation.

STEP 6

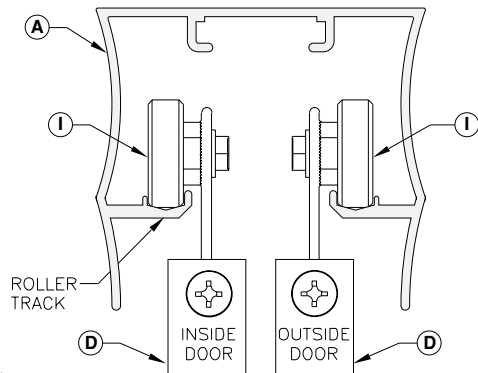
Roller installation



Using the exploded view as a guide, attach Rollers (I) to Hanger Brackets (S) using an #832 hex head screw (J). Note: protruding hex head on roller should always face hanger bracket.

STEP 7

Door Panel Installation



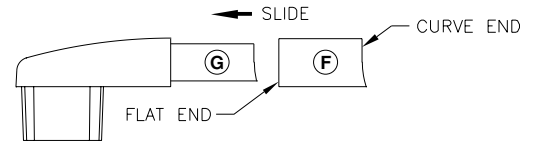
Install the outside Door Panel (D) by Lifting Panel up and into the Header (A). Lower Panel into the Track Guide (P) and engage the Rollers (I) with the roller track.

Slide outside Door Panel into Wall Jamb located on wall opposite of shower head. Check Panel to make sure that it is parallel to the Wall Jamb. If it is not, remove the Door Panel and adjust the rollers either up or down by loosening the Roller Screws and sliding the Rollers. When satisfied with outside Door Panel alignment, proceed with inside Door Panel installation.

When installed, slide inside Door Panel into Wall Jamb located on **shower head wall** and check for alignment with Wall Jamb. Adjust Rollers as necessary.

STEP 8

Towel Bar Installation



Start by sliding a Sleeve (F) . . . flat end first . . . over each of the four Towel Bar Brackets (G).

Close Door Panels (inside Panel against shower head wall and outside Panel against opposite wall). Note that inner Brackets must be installed first. Do so at this time and secure with a #832 x 1-1/4 Towel Bar Screw (K). Now finish Towel Bar installation for each Door Panel as shown in exploded view and secure with a #832 x 1-1/4 Towel Bar Screw (K). Don't forget the Finger Pulls (E). Use figures below as guides. Finish Towel Bar installation by peeling the back off the metallic CI logo (V) and installing it over the screw head on the Finger Pulls (E).

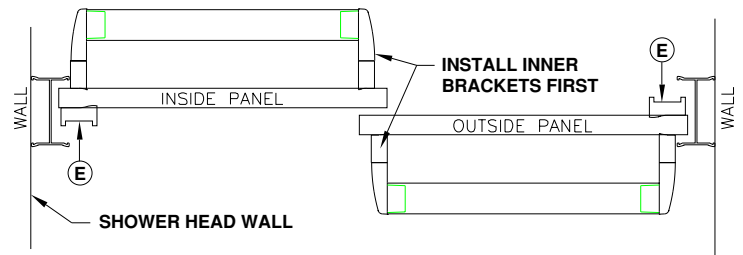


FIGURE 9A
(SHOWER HEAD ON LEFT)

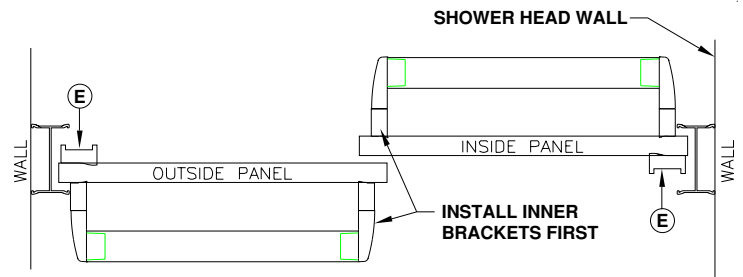


FIGURE 9B
(SHOWER HEAD ON RIGHT)

STEP 9

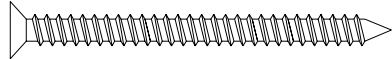
Leak Proof Installation

To insure a leak proof installation . . . Run a bead of clear mildew resistant caulking down the full length of each Wall Jamb, **outside** where the Wall Jamb meet the walls. Now run a bead inside where the sill meets either Wall Jamb. Follow caulking manufacturer's instructions before using shower. Installation is now complete. ENJOY !!!

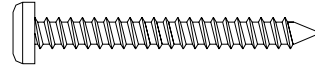
BAGGIE CODE NO. 700
Installation Hardware
(Port Royal Bypass) brite



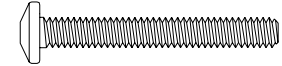
1329 (6 pcs)
Plastic Wall Anchors



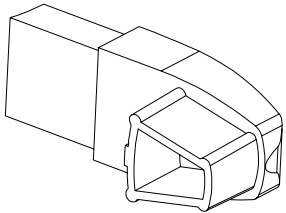
82F (1 pc)
Panel Guide Screw
#8x2" Flat Head Screw



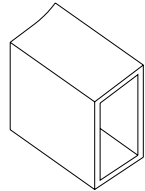
8112 (5 pcs)
Wall Jamb Installation Screw
#8x1-1/2" Pan Head Screw



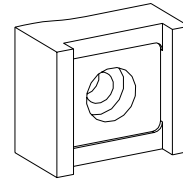
832114 (4 pcs)
Towel Bar Bracket Screw
#8x1-1/4" Pan Head Screw
used w/ Pull



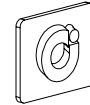
8154A (4 pcs)
Acrylic Towel Bar Brackets



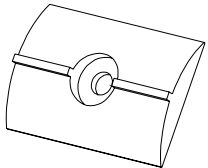
8155C (4 pcs)
Towel Bar Bracket Sleeve (brite)



8156 (2 pcs)
Anti Bypass Pull



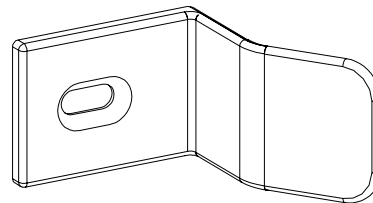
8157 (2 pcs)
CI Logo Label



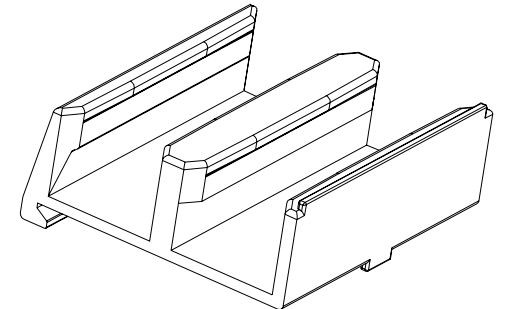
5169B (2 pcs)
BUMPER



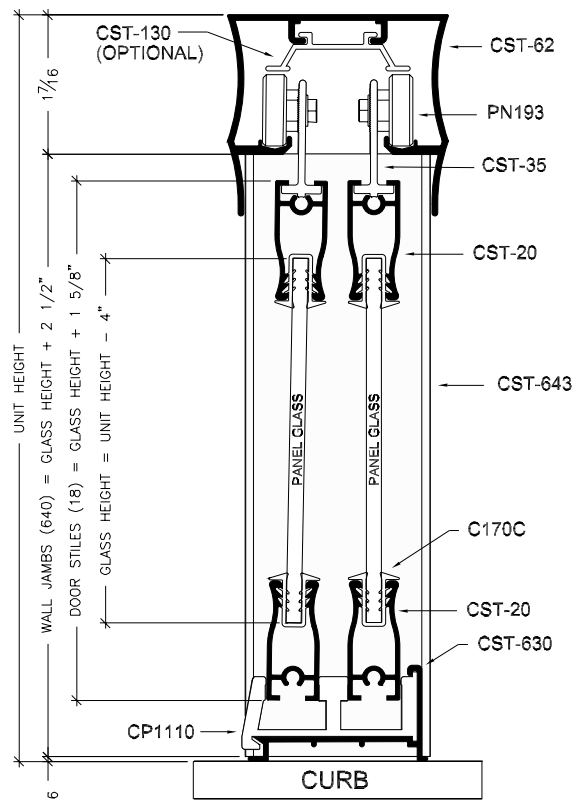
CP104TW (2 pcs)
Bumper Washer



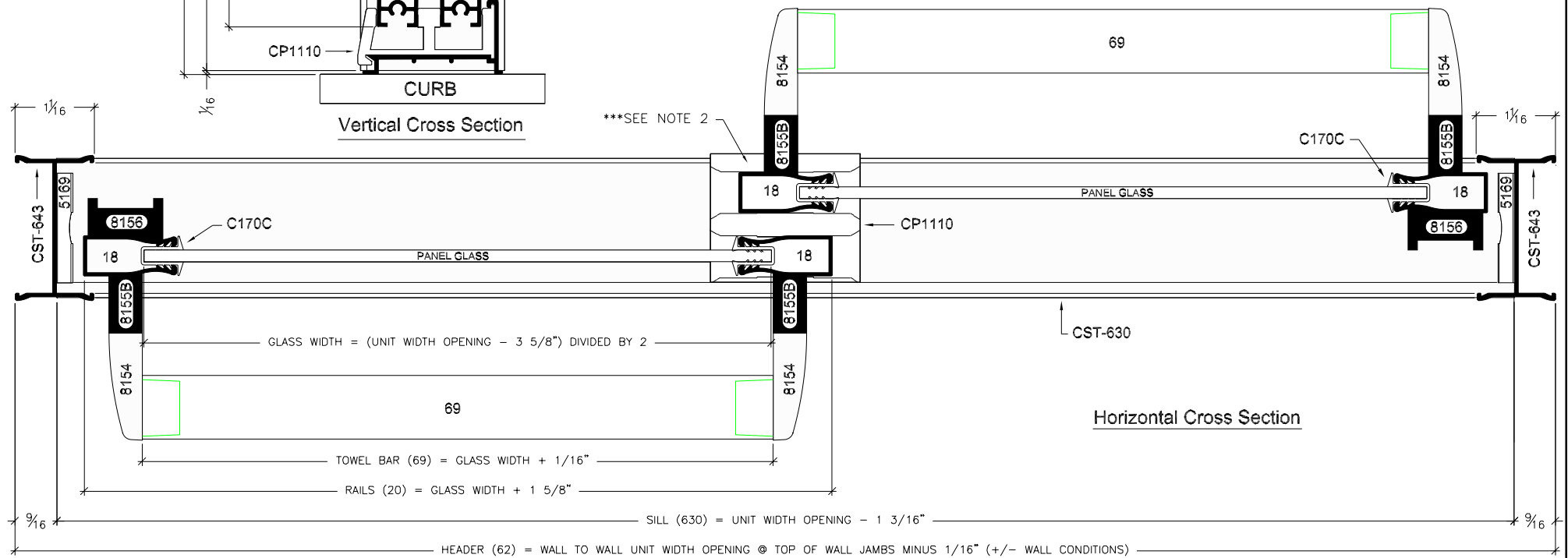
CP110A (1 pc)
Jamb Guide



CP1110 (1 pc)
Door Guide



Vertical Cross Section



Horizontal Cross Section

NOTES:

1. FORMULAS ARE BASED ON A MINIMUM WIDTH OPENING. WHEN MEASURING OPENING WIDTHS, ALWAYS CHECK FOR OUT OF PLUMB WALL CONDITIONS.
- *** 2. FORMULAS FOR GLASS WIDTHS SHOWN WILL YIELD A "PERFECT OVERLAP". THE TERM DESCRIBES THE OVERLAPPING CONDITION OF THE TWO PANELS WHEN CLOSED (PANEL STILES ARE ALIGNED WHEN LOOKED AT STRAIGHT ON).

Series

Unit Configuration

PORT ROYAL

Framed Bypass Door



Coastal Industries Inc.

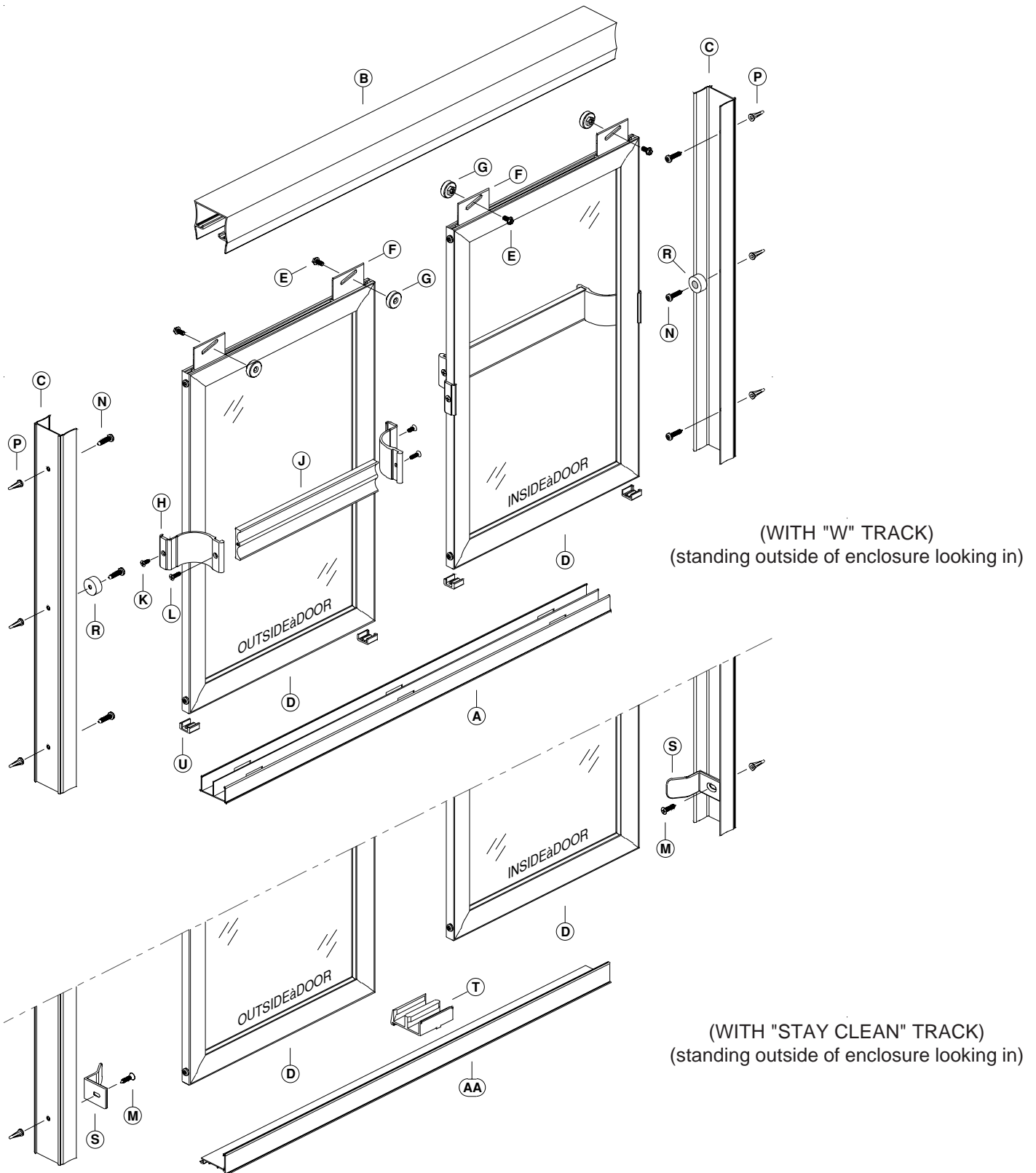
Coastal Industries Inc.

FAX NO.
(904) 641-1697

P.O BOX 16091
JACKSONVILLE FLORIDA 32245

TELEPHONE NO.
(904) 642-3970

Royal Palm (INSTALLATION INSTRUCTIONS)



PARTS LIST

<u>KEY</u> <u>LETTER</u>	<u>PART</u> <u>NUMBER</u>	<u>DESCRIPTION</u>	<u>QUANTITY</u>
A	90	SILL (W TRACK ONLY)	1
AA	490	SILL (STAY CLEAN ONLY)	1
B	45	HEADER	1
C	41	WALL JAMB	2
D	---	DOOR PANEL ASSEMBLY	2
E	832HEX	ROLLER SCREWS (installed)	4
F	38	HANGER BRACKET (installed)	4
G	PN193	ROLLER (installed)	4
H	146	TOWEL BAR BRACKETS	4
J	129	TOWEL BAR	2
K	638	6-32 x 3/8" PHILLIPS FLATHEAD (TYPE F)	4
L	612	6-32 x 1/2" PHILLIPS FLATHEAD (TYPE F)	4
M	834F	JAMB GUIDE SCREW (STAY CLEAN ONLY)	2
N	834P	INSTALLATION SCREWS (W TRACK ONLY) (STAY CLEAN ONLY)	6 4
P	1329	PLASTIC SCREW ANCHOR	6
R	5168	BUMPER	2
S	CP110	JAMB GUIDE (STAY CLEAN ONLY)	2
T	CP1101	TRACK GUIDE (STAY CLEAN ONLY)	1
U	CP1105	NYLON GUIDE (W TRACK ONLY) (installed)	4

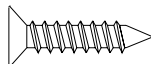
TOOLS NEEDED

HACKSAW	STANDARD SCREW DRIVER OR 1/4" WRENCH
ELECTRIC DRILL	LEVEL
3/16" MASONRY DRILL BIT	HAMMER
PENCIL / FELT TIP PEN	CENTER PUNCH
SAFETY GLASSES	PHILLIPS SCREW DRIVER
MEASURING TAPE	CLEAR CAULKING OR SEALANT (MILDEW RESISTANT)
MASKING TAPE	

Unit installation Screws (shown full size for reference)



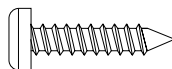
(K)_638 TOWEL BAR BRACKET SCREW



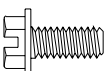
(M)_834F JAMB GUIDE SCREW



(L)_612 TOWEL BAR BRACKET SCREW



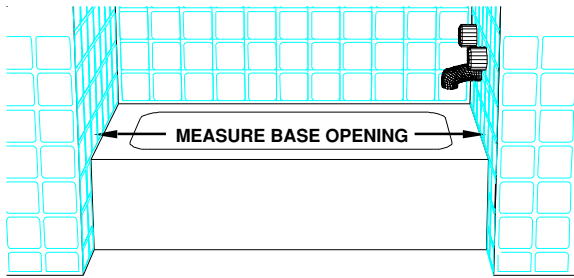
(N)_834P INSTALLATION SCREW



(E)_832HEX ROLLER SCREW

STEP 1

Measure base opening & cut Sill



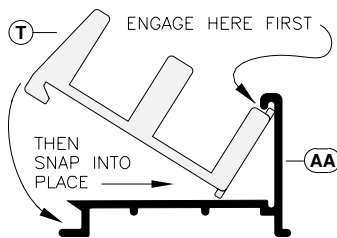
Measure the base opening along the center of the shower curb as shown in step 1. Using a hacksaw . . . cut the Sill (A) or (AA) to 5/16" less than the base opening. Position Sill on the shower curb, insuring that it is centered left to right and front to back. When satisfied that Sill is properly centered, tape Sill to curb and pencil mark it's position. Check to see that Sill has been cut to the proper length by temporarily placing Wall Jamb (C) at either end of Sill (as shown in step 4) and checking for proper fit. Remove Sill from curb.

(W TRACK) _Position Sill (A) on the shower curb with drain holes to the interior.

(STAY CLEAN) _Position Sill (AA) on the shower curb with high lip to the exterior.

STEP 2

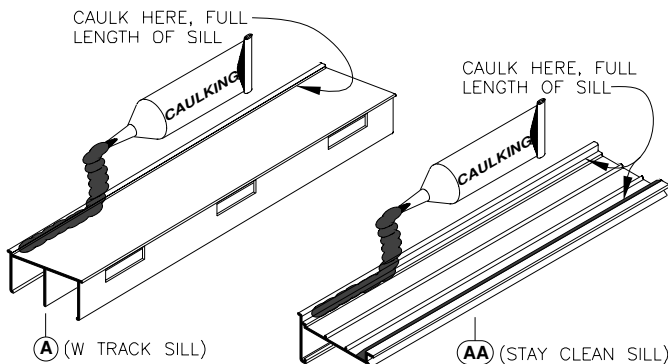
Snap on Track Guide (for Stay Clean units only)



For proper operation, Track Guide (T) must be centered on Sill (AA). Measure the length of Sill (AA) and pencil mark the center. Now center the Track Guide (T) on the center mark and snap into place as shown in figure above.

STEP 3

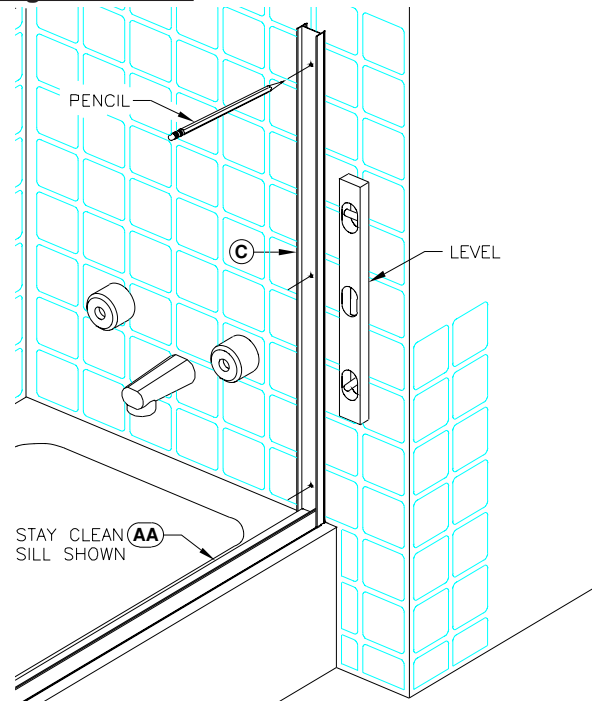
Caulk Sill & reposition



Turn Sill over and apply a bead of caulking the full length of the Sill as shown in figure. Apply enough to slightly overfill corners. Reposition Sill on shower curb in the exact location previously pencil marked in step 1. At this time the sill may be re-taped to the shower curb to prevent drastic movement while installing the wall jamps.

STEP 4

Installing Wall Jamb



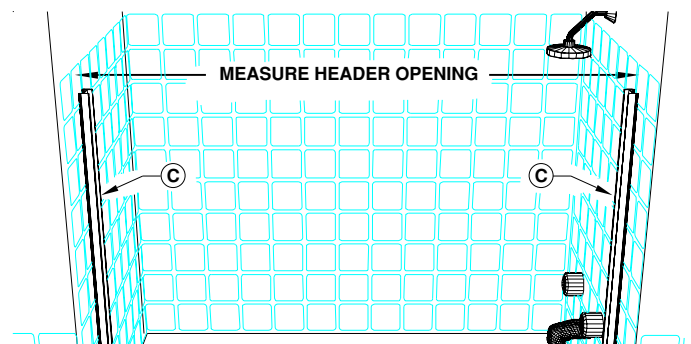
Position Wall Jamb (C) onto ends of Sill (A) or (AA) and up against shower walls. Use a level to plumb the Wall Jamb, then make a pencil mark on the shower walls thru each of the six (6) installation holes (*three per jamb*). Remove Wall Jamb and lightly center punch installation hole locations. Drill 1" deep installation holes using a 3/16" masonry bit and Insert Plastic Screw Anchors (P).

(W TRACK) _Reposition Wall Jamb as before and secure to shower walls using six (6) #8 x 3/4" Installation Screws (N). Insure that both Jamb Bumpers (R) are secured to the Wall Jamb using the center installation screw (*see exploded view*).

(STAY CLEAN) _Reposition Wall Jamb as before and secure to shower walls using four (4) #8 x 3/4" Installation Screws (N). Insure that both Jamb Bumpers (R) are secured to the Wall Jamb using the center installation screw (*see exploded view*). Use the #8 x 3/4" Flat Head Screws (M) to secure Jamb Guides (S) to lower installation hole of Wall Jamb as shown in detailed

STEP 5

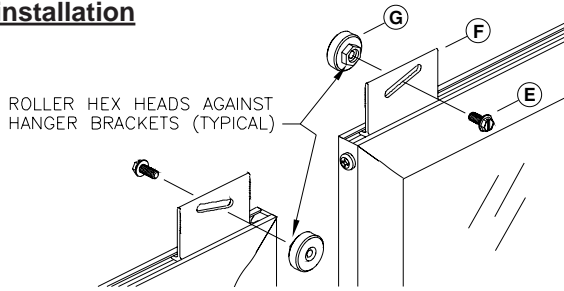
Measure Header opening & cut Header



Measure the wall to wall opening at the top of the Wall Jamb (C) and cut the Header (B) to 1/16" less than the measurement obtained. Position Header (B) on top of the Wall Jamb (C) and leave it there as we make preparations for panel installation.

STEP 6

Roller installation

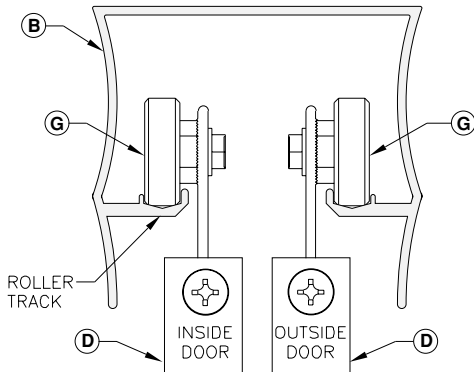


Before attaching Rollers (G) to Door Panels (D), insure that Door Panels are turned so that the rough side of Aquatex glass or the graphics side of etched glass (depending on model purchased), is facing toward outside of shower enclosure.

Using the exploded view as a guide, attach Rollers (G) to Hanger Brackets (F) using an #832 Hex Head Screw (E). Note: protruding hex head on roller should always face hanger bracket.

STEP 7

Door Panel Installation



Install the outside Door Panel (D) by Lifting Panel up and into the Header (B).

(W TRACK) Lower Panel into the bottom track Sill (A) and engage the Rollers (G) with the roller track.

(STAY CLEAN) Lower Panel into the Track Guide (T) and engage the Rollers (G) with the roller track.

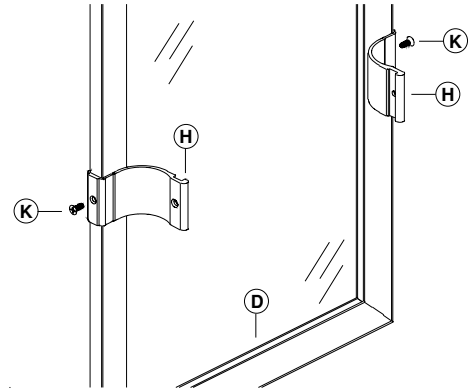
Slide outside Door Panel into Wall Jamb located on wall opposite of shower head. Check Panel to make sure that it is parallel to the Wall Jamb. If it is not, remove the Door Panel and adjust the rollers either up or down by loosening the Roller Screws and sliding the Rollers. When satisfied with outside Door Panel alignment, proceed with inside Door Panel installation.

When installed, slide inside Door Panel into Wall Jamb located on **shower head wall** and check for alignment with Wall Jamb. Adjust Rollers as necessary.

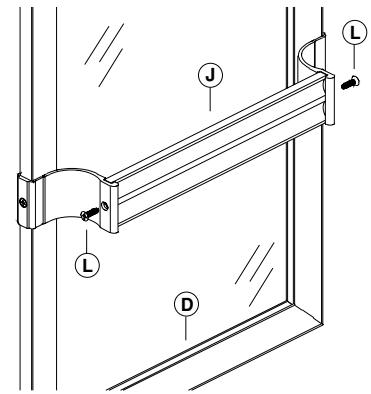
STEP 8

Towel Bar Installation

Towel Bars shall be installed on same side as the Rollers as shown in the exploded view.



Attach the Towel Bar Brackets (H) to the Door Panel Assemblies (D) with a #6 x 3/8" Phillips Flathead Screw (K). Do not tighten screws at this time.

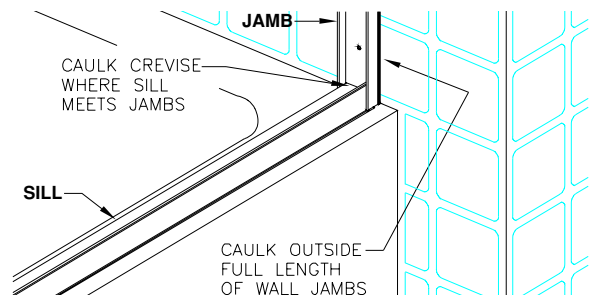


Attach the Towel Bars (J), to the Towel Bar Brackets (H) with the #6 x 1/2" Phillips Flathead Screws (L) provided. Tighten all towel bar screws at this time (**do not . . . repeat . . . do not overtighten**).

STEP 9

Leak Proof Installation

To insure a leak proof installation . . . Run a bead of clear mildew resistant caulking (**outside**) down the full length of each Wall Jamb where the Wall Jamb meets the walls. Now run a bead inside where the sill meets either Wall Jamb. Follow caulking manufacturer's instructions before using shower. Installation is now complete. **ENJOY !!!**



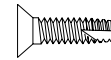
BAGGIE CODE NO.RP52
Installation Hardware
Royal Palm Bypass (Stay Clean) brite



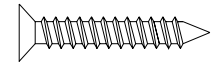
1329 (6 pcs)
Plastic Wall Anchors



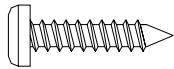
638F (4 pcs)
Towel Bar Bracket & Finger Pull Screw
#6x3/8" Flat Head Screw



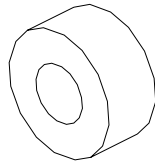
612F (2 pcs)
Towel Bar Screw
#6x1/2" Flat Head Screw



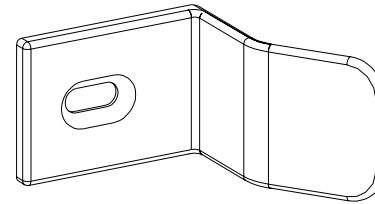
81FHP (2 pcs)
Panel Guide Screw
#8x1" Flat Head Screw



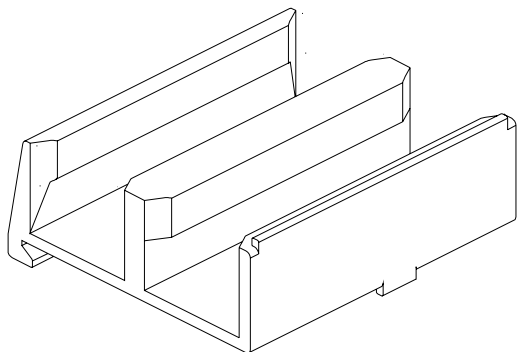
834P (6 pcs)
Wall Jamb Installation Screw
#8x3/4" Pan Head Screw



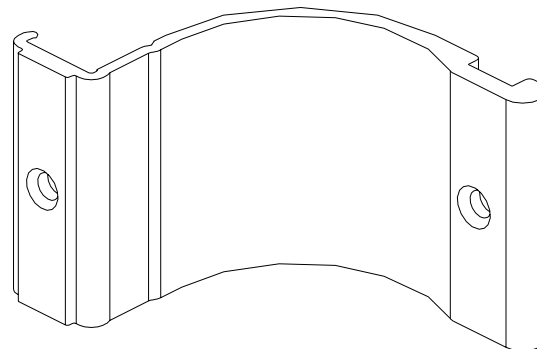
5168S (2 pcs)
Bumper



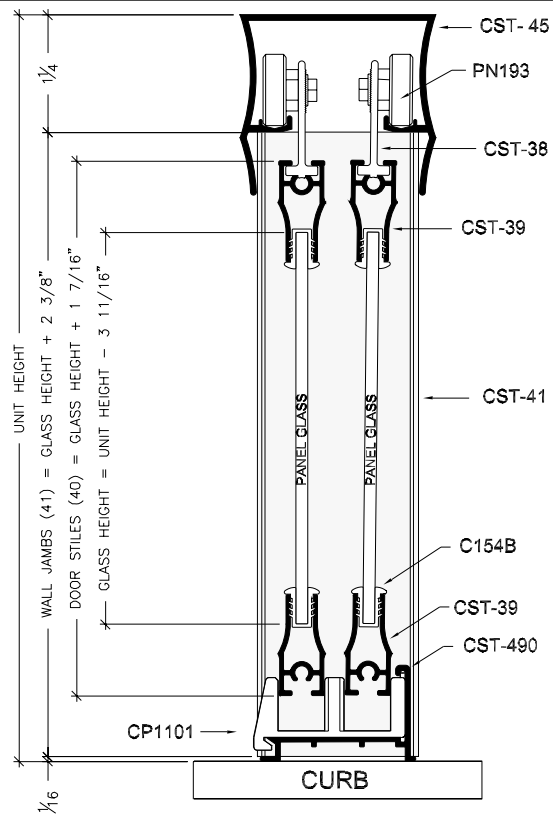
CP110A (2 pcs)
Jamb Panel Guide



CP1101 (1 pc)
Stay Clean Door Guide

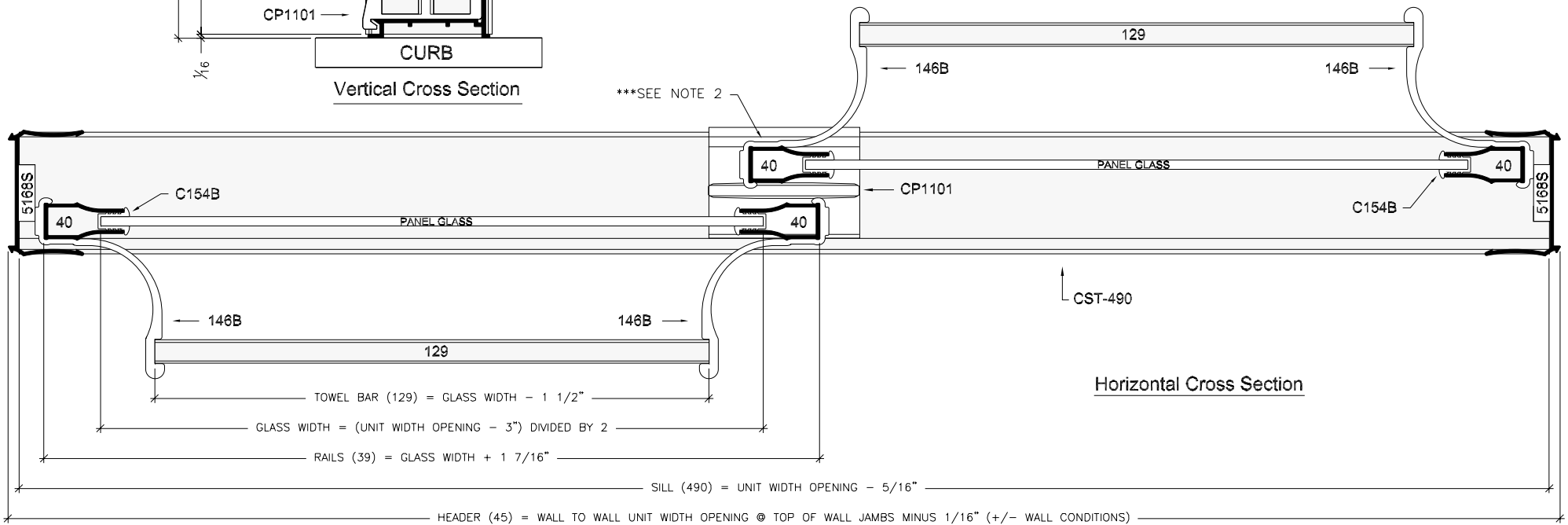


146B (4 pcs)
Towel Bar Brackets



Vertical Cross Section

***SEE NOTE 2



Horizontal Cross Section

NOTES:

1. FORMULAS ARE BASED ON A MINIMUM WIDTH OPENING. WHEN MEASURING OPENING WIDTHS, ALWAYS CHECK FOR OUT OF PLUMB WALL CONDITIONS.
- *** 2. FORMULAS FOR GLASS WIDTHS SHOWN WILL YIELD A "PERFECT OVERLAP". THE TERM DESCRIBES THE OVERLAPPING CONDITION OF THE TWO PANELS WHEN CLOSED (PANEL STILES ARE ALIGNED WHEN LOOKED AT STRAIGHT ON).

Series

Unit Configuration

ROYAL PALM

Framed Bypass Door



Coastal Industries Inc.