



***INTERIOR STORM WINDOW
INSTALLATION INSTRUCTIONS***

PHILIPS PRODUCTS
PHONE NUMBER:
574/296-0000

LIT-1650
9/03
REV. 1

GENERAL

PROPER INSTALLATION IS ESSENTIAL FOR THE ACCEPTABLE PERFORMANCE OF THIS INTERIOR STORM WINDOW.

IMPROPER INSTALLATION WILL VOID THE WARRANTY.

These instructions are for Philips Products, Inc. interior storm windows only. These instructions are intended to be used as a guide; each installation will require some variation and custom fitting.

PLEASE READ THESE INSTRUCTIONS COMPLETELY BEFORE INSTALLING THE WINDOW.

1. These instructions represent an acceptable installation method. Other methods/procedures may be acceptable. However, determining the acceptability of alternate installation methods is the sole responsibility of the installer, contractor or architect.
2. Appropriate personal protective equipment (such as safety glasses, gloves, steel-toed boots, etc.) should be worn during the installation process. **CAUTION:** Weight of products requires proper lifting techniques. Use a reasonable number of people with the required strength to carry, lift, and install the storm window unit. These instructions are not intended to address all of the safety issues associated with the installation of these windows; it is the responsibility of the installer, contractor or architect to establish appropriate safety practices.
3. **PHILIPS PRODUCTS, INC. DOES NOT WARRANT THAT THE PRODUCTS AND INSTRUCTIONS PROVIDED COMPLY WITH ALL APPLICABLE BUILDING CODES AND REGULATIONS.** It is the responsibility of the installer, contractor or architect to insure the products and methods used in construction and installation conform to all applicable building codes and regulations.
4. **DO NOT LEAVE STORM WINDOWS IN DIRECT SUNLIGHT WHEN WRAPPED.**
5. **EGRESS WARNING:** THE USE OF ANY STORM WINDOW UNIT THAT IS NOT APPROVED FOR THE EXISTING EGRESS PRIMARY WINDOW UNIT NULLIFIES THE PRIMARY WINDOW UNITS EGRESS CERTIFICATION.

- Once the storm window is installed, operate the sash by pushing the two (2) spring-loaded slide bolts located on the operable sash towards each other and sliding the sash open. If the sash does not slide smoothly within its window frame track, check frame to ensure it is square and remove screws and re-align window frame, if applicable. If this does not correct the problem, contact Philips Products, Inc.

OPTIONAL INSTALLATION PROCEDURES

Cleaning – Do not use abrasive cleaners on the glass as they may permanently scratch or mar the surface. Any cleaners other than a mild detergent should be tried in a small corner of the window to check whether they will damage the finish.

WARNING: Weather-stripping, hardware components, tracks or vinyl components should not be painted or stained.

Sash Removal – Push the two (2) spring-loaded slide bolts located on the operable sash towards each other. Tilt the sash outward, away from the window, so that the slide bolts are no longer in the window frame tracks. Raise one end of the sash, while keeping the other end level, until it is possible to remove the sash. Once the lower sash is removed, it is then possible to remove the upper sash by sliding the upper glass insert into the window frame head and then tilting the bottom of the insert in towards the interior of the house. To re-install, reverse the process.

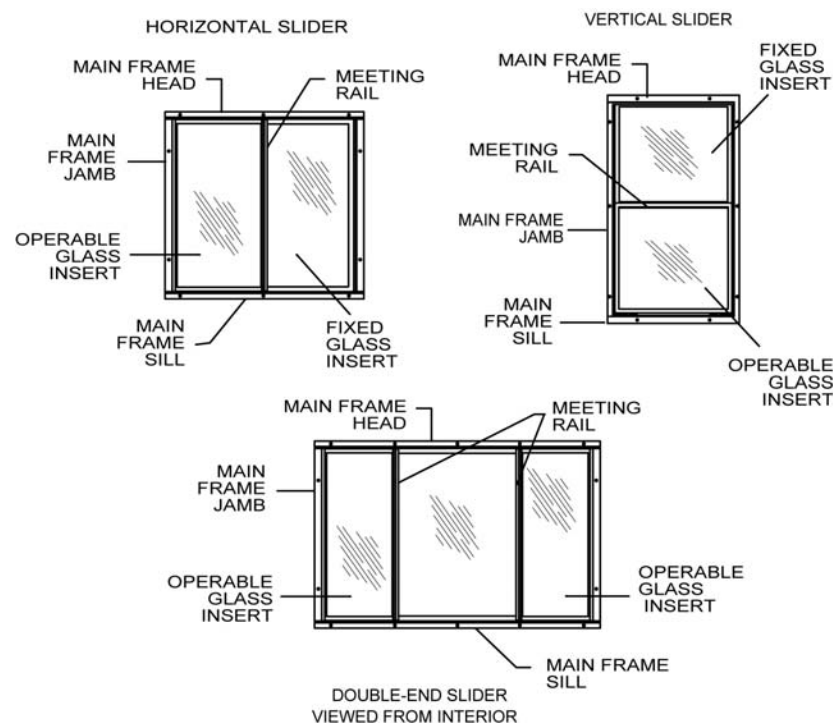
INTERIOR STORM WINDOW UNIT SIZE

Sizing of interior storm windows is based on the size of the Philips Products primary unit that is to be covered. Contact Philips Products to ensure that proper size of storm window is ordered.

INTERIOR STORM WINDOW INSPECTION AND PREPARATION

Interior Storm Window Terminology — Become familiar with the terminology used throughout these instructions by studying **Figure 1** below.

Figure 1



- Measure the storm window prior to proceeding with the installation to ensure that it **MATCHES** the opening and window it is to cover. Check not only the overall size, but also check to make sure the meeting rail of the storm window lines up with the meeting rail of the primary window.

- It is possible to install the window “upside down” and /or “inside out” which will cause the unit to operate incorrectly, thereby voiding the warranty.

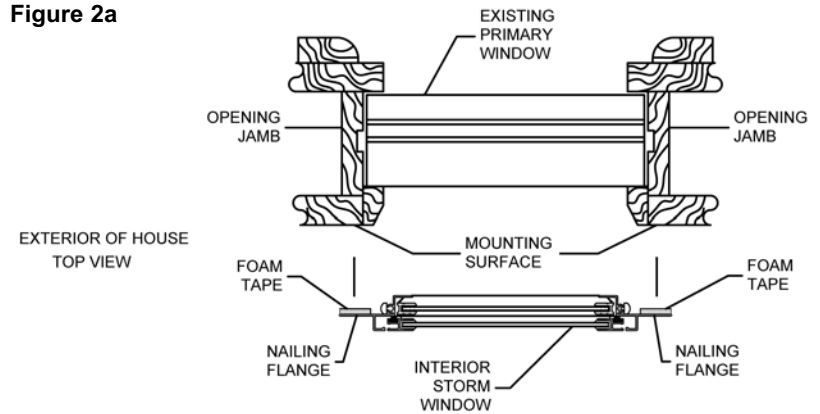
PREPARATION OF MOUNTING SURFACE

- Make certain the mounting surface the storm window is to be placed over is correctly sized and constructed. The surface that the storm window is to rest against should be flat, level, and free of any debris. Cover/seal any cracks or holes that may allow for air or water leakage.

INTERIOR STORM WINDOW INSTALLATION

- Three basic types of interior storm windows are offered: vertical slider, horizontal slider and double-end slider (See **Figure 1**). Philips Products recommends that a seal (1/8” x 1/2” low density foam tape or equivalent material) be placed around the perimeter of the exterior flange of the self-storing storm before the unit is installed. Failure to seal between the mounting surface of the primary window and the storm window may cause condensation problems (See **Figures 2 and 2a**).

Figure 2a



- Place the self-storing storm in the opening. Center the window and install one screw in the sill and one in the head. Check plumb (vertical) and level (horizontal), and square (90° corners). Adjust storm window frame, if necessary. The sill of the window should be level within 1/8” across its width. The squareness of the window should be checked with diagonal measurements (See **Figure 3**). The difference between 1 to 4 and 2 to 3 should not exceed 3/8”. Install the remaining screws starting with the sill, then the head, and lastly, the jambs.

WARNING: Do not over drive screws; to do so will unduly deform the window frame and compromise the seal. Do not apply fasteners or staples through any surface of the window other than the Philips specified areas. Failure to comply may void any manufacturer’s warranty.

Figure 2

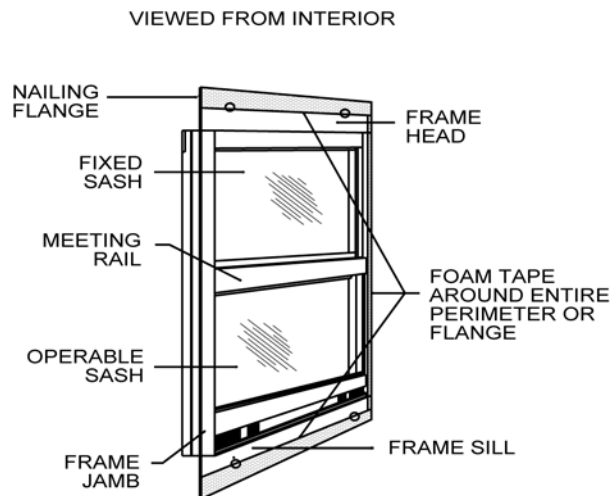


Figure 3

