

SHOULD A LEAK DEVELOP - TWO HANDLE FAUCET

Leaks can be caused by debris in the water line that prevents the seals from closing completely. Turning the faucet full on and off several times may flush out the small item(s) lodged in the faucet. If the problem persists, you should dismantle and check the faucet following these steps. (see fig. 1, 2 or 3 on following page)

COMPRESSION STEM AND BONNET CARTRIDGE

- 1) ALWAYS TURN OFF THE WATER SUPPLY. Open the faucet lines to relieve any line pressure.
- 2) Unsnap the HOT and COLD index button (#1) on the handle.
- 3) Remove the handle screw (2) using a phillips screwdriver.
- 4) Lift off the handle. (3).
- 5) With a blade screwdriver, gently pry up the bonnet lock washer (4) and lift the bonnet lock (5) off the stem and bonnet.
- 6) Unscrew the brass stem and bonnet assembly (6) counter-clockwise with a 3/4" 6 pt. (or 12 pt.) deep socket.
- 7) Check for debris in the faucet body and remove it by flushing with water or brushing it out with a small brush.
- 8) Check the seat washer (8) for wear or damage. If the washer is cut or worn, you can temporarily repair the faucet by removing the seat screw (7) and turning the washer upside down and replacing it.

It is helpful to use the faucet handle as a holder for the stem when unscrewing the seat screw. If the seat washer is worn, cut or hardened, it should be replaced. A replacement seat washer in a Trade Size No. 00 (a 1/2" diameter seat washer) is available at any hardware store.

NOTE: There may be a solid brass or a plastic renewable seat in the base of the faucet. If there is a hex-shaped hole, it is renewable and can be replaced. Check the surface of the seat, it should be smooth. If nicks and scratches are present, the renewable seat can be replaced. Replacement seats are available through your dealer or local hardware store. Phoenix part no. 40-12-1 for plastic faucets or use part no. 40-1 for brass faucets. Streamway part no. 108-25 can also be used in brass faucets only.

A 5/16" Allen wrench is used to remove and install brass renewable seats, and a 1/4" for plastic. Use caution in aligning the threads when re-installing.

9) You are ready to re-assemble the faucet now. Threads on the bonnet assembly and on the stem body can be stripped by cross-threading or overtightening. Be sure to align the threads back into the body by gently turning counter-clockwise until the threads match. Hand tighten in a clockwise direction, until assembly is snug in the body, then tighten 1/2 turn more. Test for leaks by turning on water. If there are further leaks, retighten 1/4 turn. DO NOT OVERTIGHTEN. Reinstall bonnet lock, shoulder down, with 12 pt. opening engaged with stem and bonnet hex. Reinstall bonnet lockwasher making sure the outer diameter is underneath all four tabs of the shield. Reinstall the handle, handle screw and button in the opposite manner they were removed.

WASHERLESS CARTRIDGE

Remove the washerless cartridge by following the same steps 1 through 7 as for the compression stem and bonnet.

8) Remove any line trash. The screen in the shank may be removed and back flushed to clear debris. Examine the o-ring at the bottom of the stem for tears or wear. For an immediate fix, replace this o-ring with trade size no. 012. For best results, replace with genuine Phoenix washerless cartridge part no. P82.

Reassemble following step 9 instructions.

Exposed 2 Valve Diverter & Tub Filler - 8" Centers

Key	Part No.	Description
1	40-16 H or C	Index Button, Clear
2	40-2H	Handle Screw (brass stem)
	60-4-2	Handle Screw (plastic stem)
3	6-40-9-16 H or C	Handle, Clear w/Button & Screw
4	40-5-8	Bonnet Lock Washer
5	40-5-3	Bonnet Lock
6	41-5-0	Stem & Bonnet (brass)
	45-5-0	Stem & Bonnet (plastic)
	P82	Washerless Cartridge
7	40-2S	Seat Screw (brass)
	45-2S	Seat Screw (plastic)
8	40-3-2	Seat Washer
9	40-12-1	Renu Seat
10	40-11	Locknut, Plastic 1/2"
11	40-11-1	Locknut, Zinc 1/2"
12	40-18	Crowfoot Washer 1/2"
13	60-10-8C	Flange Shower Arm, C.P.
14	60-10C	Shower Arm, C.P.
15	34-1/2"	Showerhead, 1/2"
16	6-48-1-0	Clapper Ass'y

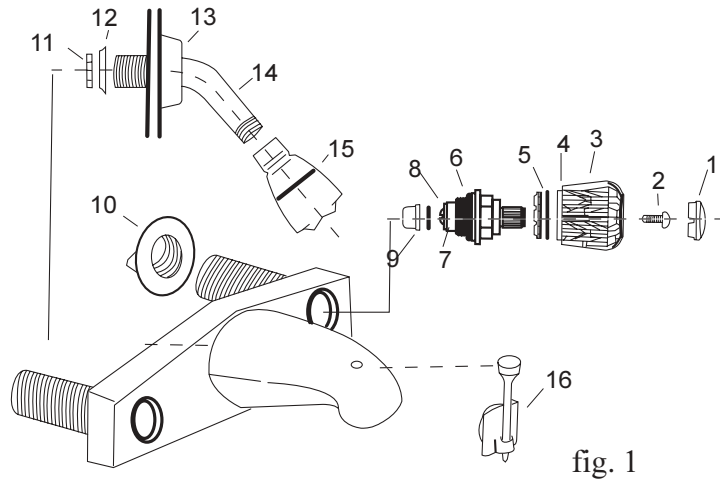


fig. 1

Ledge Faucets - 8" Centers

Key	Part No.	Description
1	40-16 H or C	Index Button, Clear
2	40-2H	Handle Screw (brass stem)
	60-4-2	Handle Screw (plastic stem)
3	6-40-9-16 H or C	Handle, Clear w/Button & Screw
4	40-5-8	Bonnet Lock Washer
5	40-5-3	Bonnet Lock
6	41-5-0	Stem & Bonnet (brass)
	45-5-0	Stem & Bonnet (plastic)
	P82	Washerless Cartridge
7	40-2S	Seat Screw (brass)
	45-2S	Seat Screw (plastic)
8	40-3-2	Seat Washer
9	40-12-1	Renu Seat
10	N50-12PLC	8" Shield
11	40-11	Locknut, 1/2" Plastic
12	50-78A-0	8" Tubular Spout, C.P.
13	50-11C	Spout Nut C.P., Brass
14	40-13-3	End Trim Washer
15	6-40-13-0	End Trim Assembly
16	50-19C	Aerator
17	52-78A-0	8" Decorative Spout, C.P.
18	P52-11C	Spout Nut, Plastic C.P.
19	56-76-0	6" Bar Spout
20	56-79-0	9" Bar Spout (not shown)

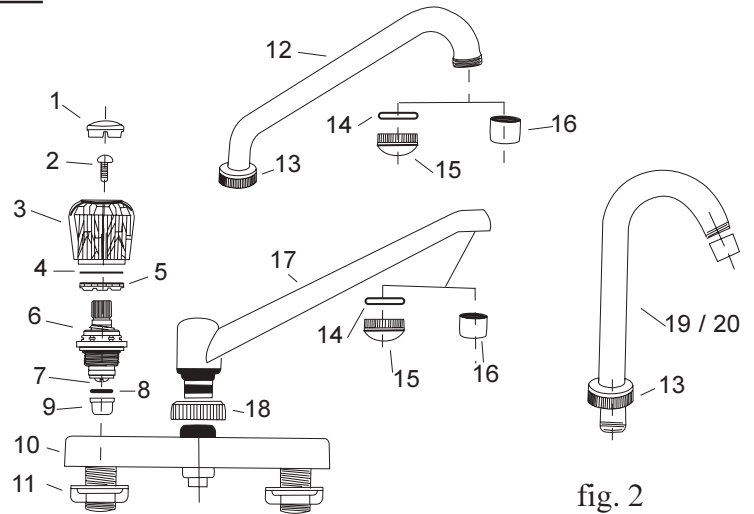


fig. 2

Lavatory with Diverter - 4" Centers

Key	Part No.	Description
1	40-16 H or C	Button, Index, Clear
2	40-2H	Handle Screw (brass stem)
	60-4-2	Handle Screw (plastic stem)
3	6-40-9-16 H or C	Handle, Clear w/Button & Screw
4	40-5-8	Bonnet Lock Washer
5	40-5-3	Bonnet Lock
6	41-5-0	Stem & Bonnet (brass)
	45-5-0	Stem & Bonnet (plastic)
	P82	Washerless Cartridge
7	40-2S	Seat Screw (brass)
	45-2S	Seat Screw (plastic)
8	40-3-2	Seat Washer
9	40-12-1	Renu Seat
10	40-11	Locknut, Plastic 1/2"
11	P40-12-16	Black Domed Hole Plug
12	40-13-3	End Trim Washer
13	6-40-13-0	End Trim Assembly
14	50-19C	Aerator
15	44-13	"D" Spud For lavatory diverter only

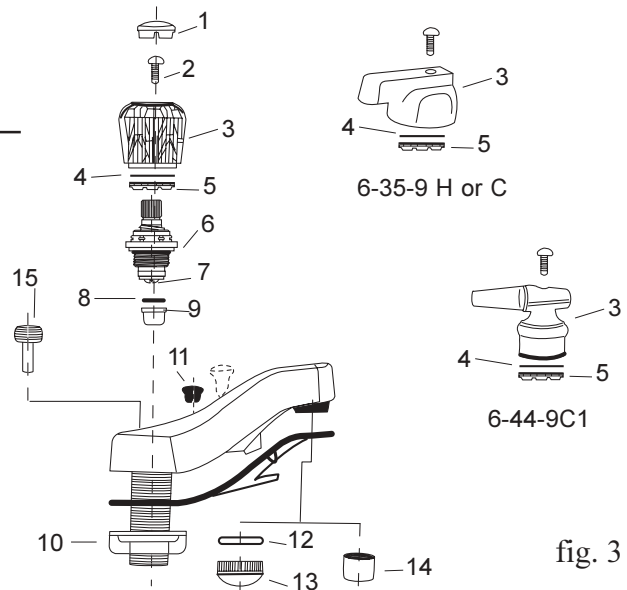


fig. 3

For information regarding additional service or replacement parts contact: Phoenix Products, Inc. 583 Miller Road Avon Lake, OH 44012, or call 800-222-6041, fax 440-933-6252., email info@Phoenixfaucets.com