

Installation Instructions - 120V AC Side Wall Insert Vent Fan

Model Covered: V2215

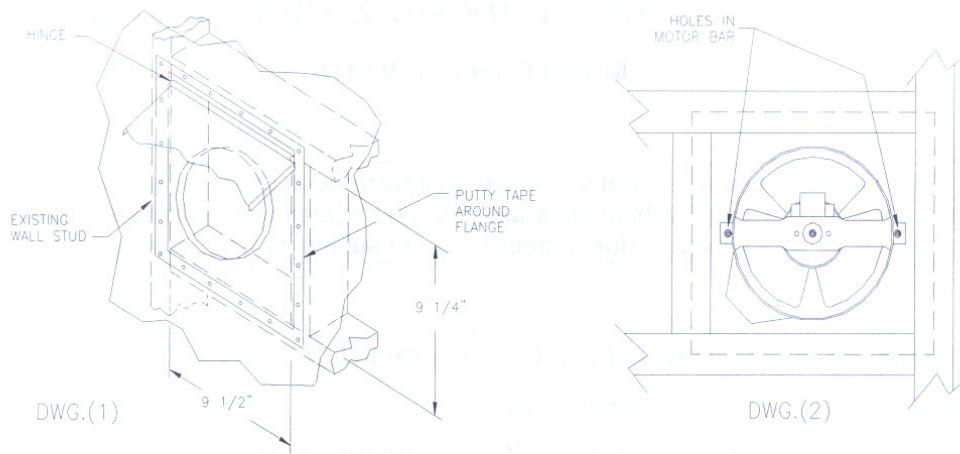
Caution! For general ventilating use only. Do not use to exhaust hazardous or explosive materials or vapors.
Caution! Do not allow insulation, ceiling finishing materials, roofing materials, or other debris to enter the fan housing or ductwork. Motor failures due to debris are not subject to warranty coverage.

WARNING! TO REDUCE THE RISK OF FIRE, ELECTRIC SHOCK, OR INJURY TO PERSONS, OBSERVE THE FOLLOWING:

- a) Do not use this fan with any solid state speed control device.
- b) Installation work and electrical wiring must be done by qualified person(s) in accordance with all applicable codes and standards, including fire-rated construction.
- c) Sufficient air is needed for proper combustion and exhausting of gases through the flue (chimney) of fuel burning equipment to prevent back drafting. Follow the heating equipment manufacturer's guideline and safety standards such as those published by the National Fire Protection Association (NFPA), and the American Society for Heating, Refrigeration and Air Conditioning Engineers (ASHRAE), and the local code authorities.
- d) When cutting or drilling into wall or ceiling, do not damage electrical wiring and other hidden utilities.
- e) Ducted fans must always be vented to the outdoors.
- f) If this unit is to be installed over a tub or shower, it must be marked as appropriate for the application and be connected to a **GFCI (Ground Fault Circuit Interrupter) – protected branch circuit**.
- g) **NEVER** place a switch where it can be reached from a tub or shower.

- 1) **Caution!** Do not install this fan over tub or shower.
- 2) This fan is acceptable for sidewall installation in cooking areas only when installed above a counter or major appliance such as dishwasher or range that serves as a barrier.
- 3) Locate vertical wall stud and cut opening 9 1/2" wide x 9 1/4" high, using one side of the stud as a starting point. (See illustration).
- 4) Cut two 2 x 4's to fit between existing wall studs and nail in place above and below the opening. Cut one 2 x 4 x 9 1/4" long and locate 9 1/2" from inside edge of vertical stud and nail in place.
- 5) Remove wiring compartment cover. Using a suitable strain relief, make all electrical connections. Replace wiring compartment cover.
- 6) On outside wall, apply sealant around mounting flange. **Important:** Mount fan 'square' in opening with hinge on top so that grille will be 'square' on inside wall. (Holes in outer ends of motor bar must be visible from the inside – refer to illustration). Fasten mounting flange to outside wall with #8 screws of sufficient length.
- 7) Verify that the fan unit is free of debris and that the fan spins freely within the blower housing.
- 8) On the inside, pull chain through grille, locate grille on the wall, drive #8 x 3 1/2" long screws through holes into mating holes in the motor bar.

Please refer to the reverse side of this document for installation illustrations and additional safety and cleaning Instructions.



Typical installation method – refer to reverse side for instructions

WARNING! TO REDUCE THE RISK OF A RANGE TOP GREASE FIRE:

- a) Never leave surface units unattended at high settings. Boilovers cause smoking and greasy spillovers that may ignite. Heat oils slowly on low or medium settings.
- b) Always turn hood ON when cooking at high heat or when cooking flaming foods.
- c) Clean ventilating fans frequently. Grease should not be allowed to accumulate on fan or filter.
- d) Use proper pan size. Always use cookware appropriate for the size of the surface element.

WARNING! TO REDUCE THE RISK OF INJURY TO PERSONS IN THE EVENT OF A RANGE TOP GREASE FIRE, OBSERVE THE FOLLOWING:

- a) SMOTHER FLAMES with a close fitting lid, cookie sheet or metal tray, then turn off the burner. BE CAREFULL TO PREVENT BURNS. If the flames do not go out immediately, EVACUATE AND CALL THE FIRE DEPARTMENT.
- b) NEVER PICK UP A FLAMING PAN – You may be burned.
- c) DO NOT USE WATER, including wet dishcloths or towels – a violent steam explosion will result.
- d) Use an extinguisher ONLY if:
 - 1) You know you have a class ABC extinguisher, and you already know how to operate it.
 - 2) The fire is small and contained in the area where it started.
 - 3) The fire department is being called.
 - 4) You can fight the fire with your back to an exit.

Based on "Kitchen firesafety tips" published by NFPA

Read and Save These Instructions !

WARNING! TO REDUCE THE RISK OF FIRE, ELECTRIC SHOCK, OR INJURY TO PERSONS, OBSERVE THE FOLLOWING:

- a) Use this unit only in the manner intended by the manufacturer. If you have questions, contact the manufacturer.
- b) Before servicing or cleaning unit, switch power off at the service panel and lock service disconnecting means to prevent power from being switched on accidentally. **When the service disconnecting means cannot be locked, securely fasten a prominent warning device, such as a tag, to the service panel.**

Care And Cleaning

Fan Interior : After disconnecting power, remove the grille by removing the two(2) mounting screws to gain access to the interior of the fan housing. Vacuum any accumulated dust and lint from the fan blade, housing interior, and motor. Wipe the fan blade with a moist cloth or sponge to remove any dirt buildup.

Inlet Grille : Before replacing grille, clean with a solution of warm water and mild detergent applied with a soft cloth or sponge. Do not use gritty or abrasive cleaners.