

# WIND STAY ROD

## INSTALLATION INSTRUCTIONS



Style Crest, Inc.  
Drawer A • 2450 Enterprise Street  
Fremont, Ohio 43420  
**800.925.4440**

®

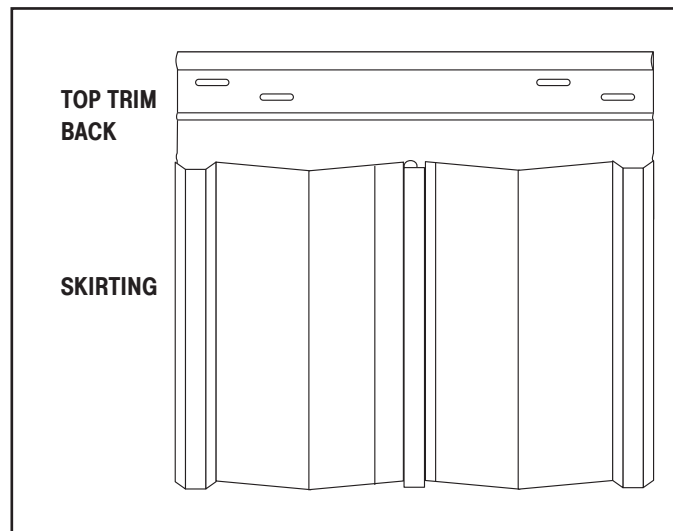
# Wind Stay Rod Installation Instructions

Style Crest Wind-stay rods provide additional protection against blowouts of vinyl skirting. Easily installed during initial skirting installation, or added later to reduce recurring problems. Style Crest wind stay rods come in convenient bundles of 32 per bundle, and 2 lengths to fit your skirting installation. For maximum protection, choose the longest length of stay rod that will fit in your installation.

Part Number	Description	Number Per Bundle
33412	12" long	32/bundle
33424	24" long	32/bundle

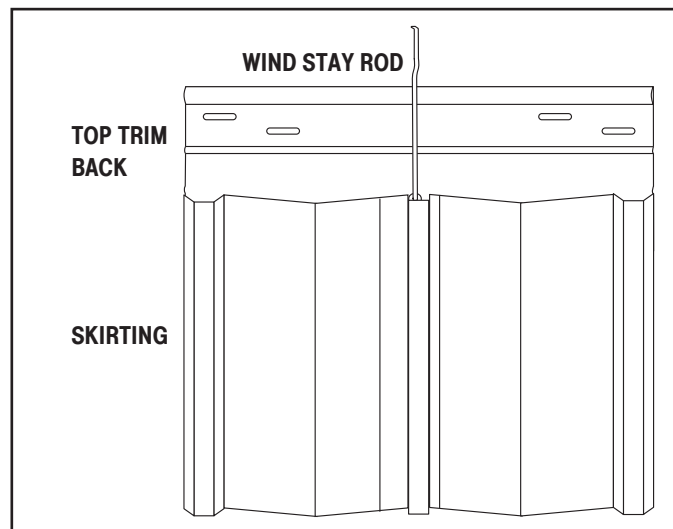
### Step 1:

With the top trim front removed or flipped up, locate the vertical line where 2 skirting panels join. (See diagram)



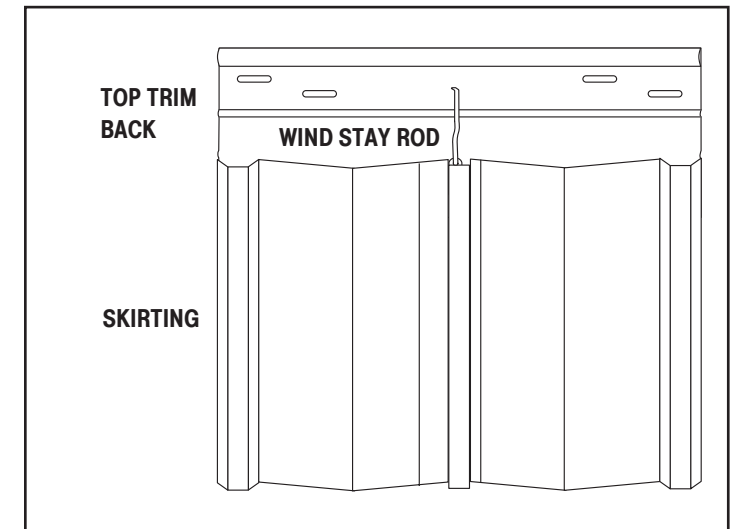
### Step 2:

Insert the non-hook end of the wind stay rod into the opening created in the joint. The off-set at the hook will prevent the wind stay rod from falling through. (See diagram)



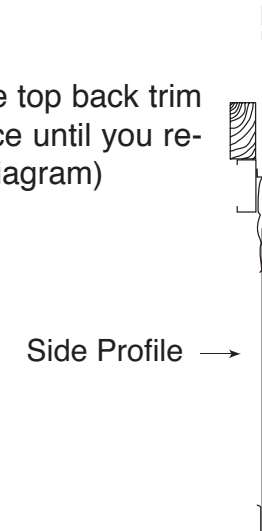
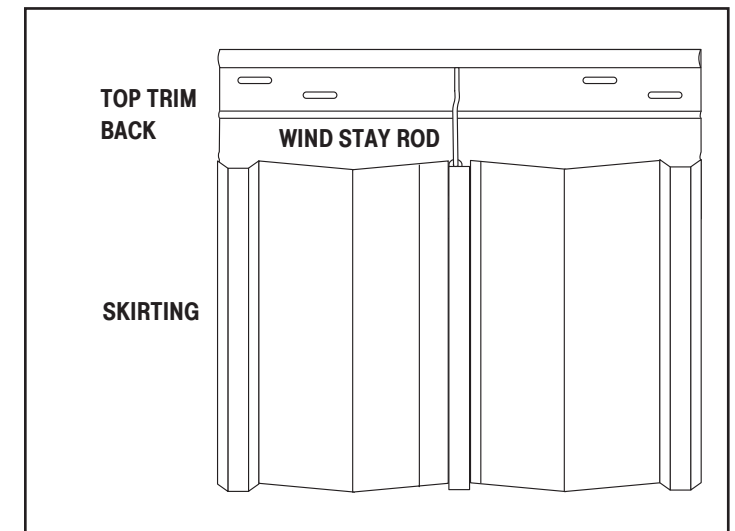
### Step 3:

With the hook end facing outward, push the top of the wind stay rod under the bottom lip of the back trim. It may be beneficial to grip the wind stay rod with locking pliers to help with this process. (See diagram)



### Step 4:

The tension of the lower lip of the top back trim will hold the wind stay rod in place until you reposition the top front trim. (See diagram)



### Step 5:

Re-install the top front panel for a completed installation. (See diagram)

